



solavanti lighting

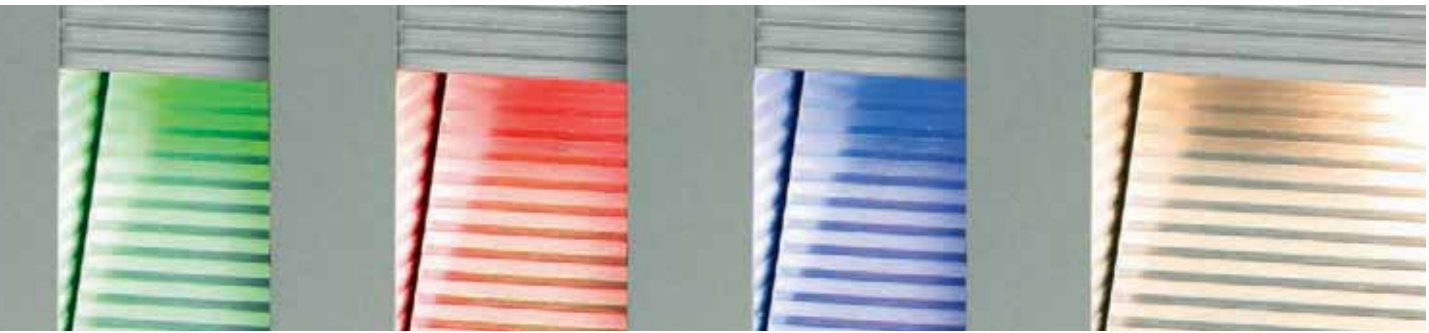


DESIGN



04 / **Decorative LED**





DARK LIGHT

LED ENERGY

fast connection

dimable

3.5"x3.5"

1.6"



| | | | |
|----------|-----------|--------------|-------|
| 350mA | III | driver excl. | 19.7" |
| 1w | LED | | |
| | 2.9"x2.9" | 1.6" | |
| die cast | | lb 0.3 | |

order code

| | |
|-------------|---------------|
| D68005/G/D | grey/daylight |
| D68005/G/W | grey/warm |
| D68005/G/BL | grey/blue |
| D68005/G/GR | grey/green |
| D68005/G/R | grey/red |
| D68005/G/Y | grey/yellow |

Driver required, see page 310.
For concrete installation order D68005/BOX.



| | | | |
|--|--|--------|--|
| | | | |
| | | | |
| | | lb 1.2 | |

order code

D68005/BOX

Concrete installation box for fitting D68005.

DARK LIGHT

LED ENERGY

fast connection

dimable

9.3"x3.1"

3.0"



| | | | |
|----------|-----------|--------------|-------|
| 350mA | III | driver excl. | 19.7" |
| 1w | LED | | |
| | 2.6"x8.3" | 3.5" | |
| die cast | 20 | lb 1.6 | |

order code

| | |
|-------------|---------------|
| D68008/G/D | grey/daylight |
| D68008/G/W | grey/warm |
| D68008/G/BL | grey/blue |

Driver required, see page 310.
For concrete installation order D68008/BOX.



| | | | |
|--|--|--------|--|
| | | | |
| | | | |
| | | lb 1.3 | |

order code

D68008/BOX

Concrete installation box for fixture D68008.



Decorative LED - LED



LED me light

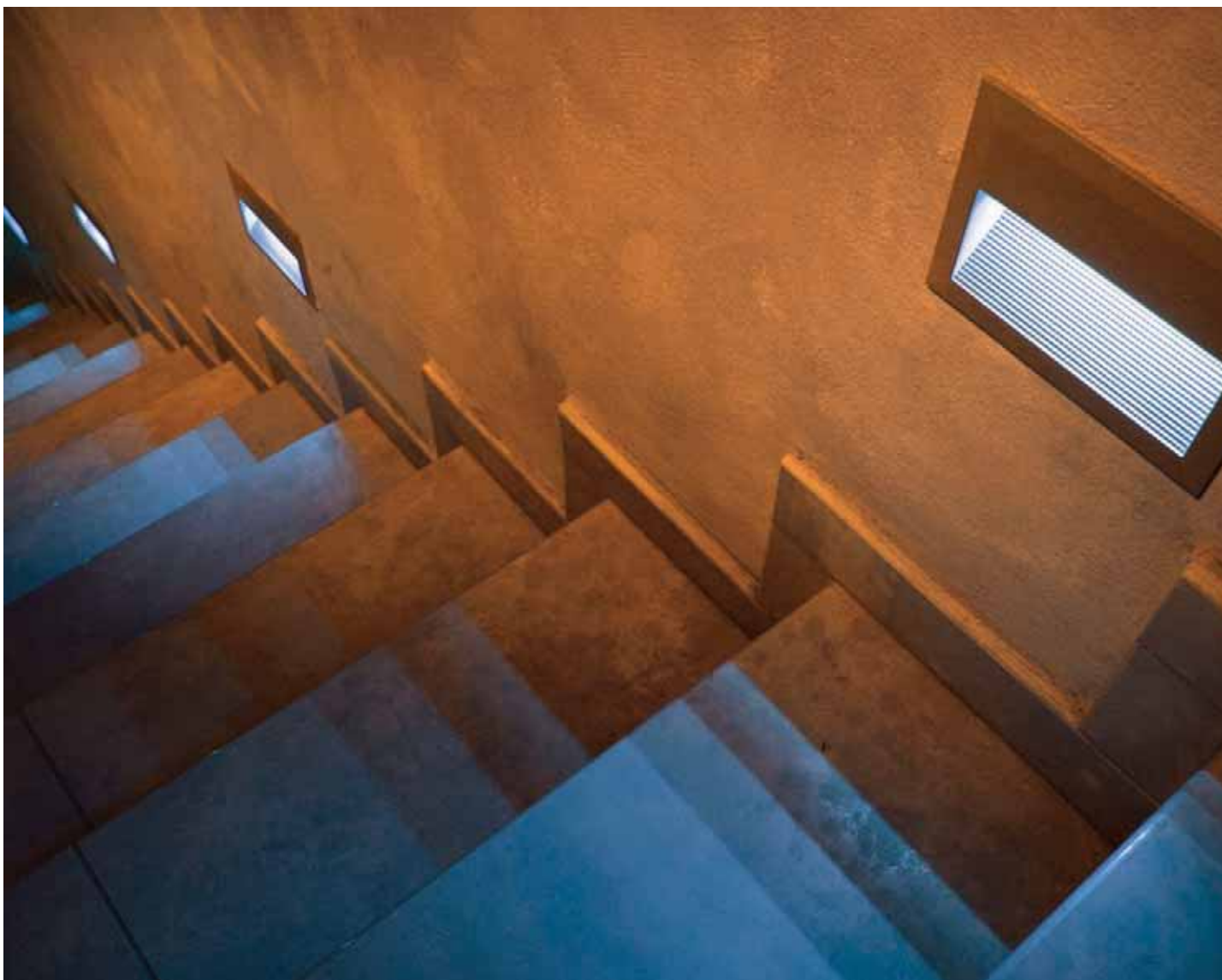


Decorative LED ■ LED

172

| | | | | | | |
|--|--|----------|-----|------|------|------|
| LED ENERGY | | 120v | | | | |
| DARK LIGHT | | | | | | |
| | | 1.4w | LED | 4.1" | 4.5" | IP54 |
| | | die cast | | | 0.9 | |
| order code | | | | | | |
| 14x0.1w | | | | | | |
| D68022/G/D grey/daylight | | | | | | |
| D68022/G/W grey/warm | | | | | | |
| D68022/G/BL grey/blue | | | | | | |
| Supplied with box for concrete installation and kit for gypsum installation. | | | | | | |

| | | | | | | |
|--|--|----------|-----|------|------|------|
| LED ENERGY | | 120v | | | | |
| DARK LIGHT | | | | | | |
| | | 1.4w | LED | 4.1" | 4.5" | IP54 |
| | | die cast | | | 0.9 | |
| order code | | | | | | |
| 14x0.1w | | | | | | |
| D68024/G/D grey/daylight | | | | | | |
| D68024/G/W grey/warm | | | | | | |
| Supplied with box for concrete installation and kit for gypsum installation. | | | | | | |



LED me light

| | | | | | |
|---|--|----------|--|--|------|
| | | 120v | | | |
| | | | | | |
| | | | | | IP54 |
| | | die cast | | | 0.1 |
| order code 15x0.1w D68012/G/D grey/daylight D68012/G/W grey/warm D68012/G/BL grey/blue Supplied with box for concrete installation and kit for gypsum installation. | | | | | |

| | | | | | |
|---|--|----------|--|--|------|
| | | 120v | | | |
| | | | | | |
| | | | | | IP54 |
| | | die cast | | | 1.7 |
| order code 27x0.1w D68016/G/D grey/daylight D68016/G/W grey/warm Supplied with box for concrete installation and kit for gypsum installation. | | | | | |

| | | | | | |
|---|--|----------|--|--|------|
| | | 120v | | | |
| | | | | | |
| | | | | | IP54 |
| | | die cast | | | 1.7 |
| order code 15x0.1w D68018/G/D grey/daylight D68018/G/W grey/warm Supplied with box for concrete installation and kit for gypsum installation. | | | | | |

| | | | | | |
|---|--|----------|--|--|------|
| | | 120v | | | |
| | | | | | |
| | | | | | IP54 |
| | | die cast | | | 2.2 |
| order code 27x0.1w D68020/G/D grey/daylight D68020/G/W grey/warm Supplied with box for concrete installation and kit for gypsum installation. | | | | | |



Decorative LED - LED

LED me light



Decorative LED - LED



| | | | |
|-----------------|-----------|------|------|
| 120v | | | |
| 2.4w | | | |
| | 3.5"x3.5" | 2.6" | IP54 |
| stainless steel | | lb | 1.6 |

| order code | |
|----------------|------------|
| 12x0.2w | |
| D68001/D | daylight |
| D68001/W | warm |
| D68001/BL | blue |
| D68001/R | red |
| D68001/BS/W | brass/warm |

Supplied with box for concrete installation and kit for gypsum installation.



| | | | |
|-----------------|-----------|------|------|
| 120v | | | |
| 2.4w | | | |
| | 3.9"x1.4" | 2.6" | IP54 |
| stainless steel | | lb | 0.7 |

| order code | |
|----------------|------------|
| 12x0.2w | |
| D68002/D | daylight |
| D68002/W | warm |
| D68002/BL | blue |
| D68002/R | red |
| D68002/BS/W | brass/warm |

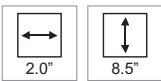
Supplied with box for concrete installation and kit for gypsum installation.



| | | | |
|-----------------|-----------|------|------|
| 120v | | | |
| 3.2w | | | |
| | 6.1"x2.0" | 2.8" | IP54 |
| stainless steel | | lb | 1.6 |

| order code | |
|----------------|------------|
| 16x0.2w | |
| D68003/D | daylight |
| D68003/W | warm |
| D68003/BL | blue |
| D68003/R | red |
| D68003/BS/W | brass/warm |

Supplied with box for concrete installation and kit for gypsum installation.



| | | | |
|---------------|-----------|------|------|
| 100-230v UNI. | | | |
| 3w | | | |
| | 3.9"x1.4" | 2.6" | IP54 |
| die cast | | lb | 1.6 |

| order code | |
|-------------|----------------|
| 1x3w | |
| D68044/W/D | white/daylight |
| D68044/W/W | white/warm |
| D68044/W/BL | white/blue |



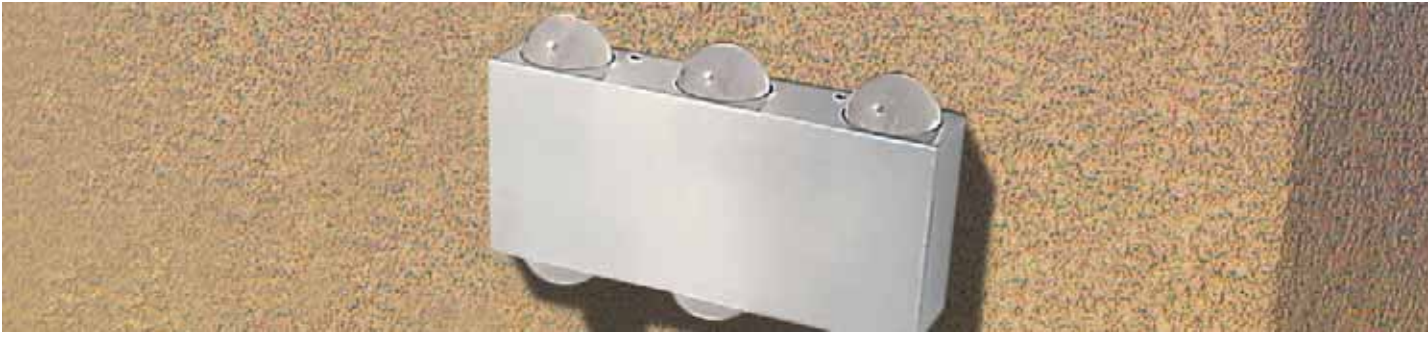


Decorative LED ■ LED

| | | | | | | | | | | | |
|--|-------------------|--|--|--|--|----------|-------|--|--------------|--|---|
| | LED ENERGY | | | | | | 350mA | | driver excl. | | order code 1x1w D68038/G/W grey/warm |
| | | | | | | | | | | | |
| | | | | | | | | | | | |
| | | | | | | die cast | | | | | Requires 350mA driver, page 310. |

| | | | | | | | | | | | |
|--|-------------------|--|--|--|--|----------|-------|--|--------------|--|---|
| | LED ENERGY | | | | | | 350mA | | driver excl. | | order code 1x1w D68040/G/W grey/warm |
| | | | | | | | | | | | |
| | | | | | | | | | | | |
| | | | | | | die cast | | | | | Requires 350mA driver, page 310. |

| | | | | | | | | | | | |
|--|-------------------|--|--|--|--|----------|-------|--|--------------|--|---|
| | LED ENERGY | | | | | | 350mA | | driver excl. | | order code 2x1w D68042/G/W grey/warm |
| | | | | | | | | | | | |
| | | | | | | | | | | | |
| | | | | | | die cast | | | | | Requires 350mA driver, page 310. |



| | | | | | 120v | | | | | | | | | |
|---|----------------------------|--|--|--|----------|--|---------|--|------------|--|------|---------------------------|--|----------------------------|
| | | | | | | | | | | | | | | |
| | | | | | die cast | | 1.4 | | | | | | | |
| <table border="1"> <tr> <th colspan="2">order code</th> </tr> <tr> <td>1x4w</td> <td>D67274/AL/W aluminum/warm</td> </tr> <tr> <td></td> <td>D67274/AL/BL aluminum/blue</td> </tr> </table> | | | | | | | | | order code | | 1x4w | D67274/AL/W aluminum/warm | | D67274/AL/BL aluminum/blue |
| order code | | | | | | | | | | | | | | |
| 1x4w | D67274/AL/W aluminum/warm | | | | | | | | | | | | | |
| | D67274/AL/BL aluminum/blue | | | | | | | | | | | | | |

| | | | | | 120v | | | | | | | | | |
|---|-----------------------------|--|--|--|----------|--|---------|--|------------|--|------|----------------------------|--|-----------------------------|
| | | | | | | | | | | | | | | |
| | | | | | die cast | | 1.4 | | | | | | | |
| <table border="1"> <tr> <th colspan="2">order code</th> </tr> <tr> <td>2x1w</td> <td>D67274A/AL/W aluminum/warm</td> </tr> <tr> <td></td> <td>D67274A/AL/BL aluminum/blue</td> </tr> </table> | | | | | | | | | order code | | 2x1w | D67274A/AL/W aluminum/warm | | D67274A/AL/BL aluminum/blue |
| order code | | | | | | | | | | | | | | |
| 2x1w | D67274A/AL/W aluminum/warm | | | | | | | | | | | | | |
| | D67274A/AL/BL aluminum/blue | | | | | | | | | | | | | |

| | | | | | 120v | | | | | | | | | |
|---|-----------------------------|--|--|--|----------|--|---------|--|------------|--|------|----------------------------|--|-----------------------------|
| | | | | | | | | | | | | | | |
| | | | | | die cast | | 2.5 | | | | | | | |
| <table border="1"> <tr> <th colspan="2">order code</th> </tr> <tr> <td>4x1w</td> <td>D67274B/AL/W aluminum/warm</td> </tr> <tr> <td></td> <td>D67274B/AL/BL aluminum/blue</td> </tr> </table> | | | | | | | | | order code | | 4x1w | D67274B/AL/W aluminum/warm | | D67274B/AL/BL aluminum/blue |
| order code | | | | | | | | | | | | | | |
| 4x1w | D67274B/AL/W aluminum/warm | | | | | | | | | | | | | |
| | D67274B/AL/BL aluminum/blue | | | | | | | | | | | | | |

| | | | | | 120v | | | | | | | | | |
|---|-----------------------------|--|--|--|----------|--|---------|--|------------|--|------|----------------------------|--|-----------------------------|
| | | | | | | | | | | | | | | |
| | | | | | die cast | | 1.6 | | | | | | | |
| <table border="1"> <tr> <th colspan="2">order code</th> </tr> <tr> <td>6x1w</td> <td>D67274C/AL/W aluminum/warm</td> </tr> <tr> <td></td> <td>D67274C/AL/BL aluminum/blue</td> </tr> </table> | | | | | | | | | order code | | 6x1w | D67274C/AL/W aluminum/warm | | D67274C/AL/BL aluminum/blue |
| order code | | | | | | | | | | | | | | |
| 6x1w | D67274C/AL/W aluminum/warm | | | | | | | | | | | | | |
| | D67274C/AL/BL aluminum/blue | | | | | | | | | | | | | |

| | | | | | |
|---|--|----------|--|--|------|
| | | 120v | | | |
| | | 4w | | | |
| | | | | | IP54 |
| | | die cast | | | 1.4 |
| order code | | | | | |
| 4x1w D67148/G/D grey/daylight D67148/G/W grey/warm | | | | | |

| | | | | | |
|---|--|----------|--|--|------|
| | | 120v | | | |
| | | 3w | | | |
| | | | | | IP54 |
| | | die cast | | | 1.3 |
| order code | | | | | |
| 3x1w D67144/G/D grey/daylight D67144/G/W grey/warm | | | | | |
| 3 LEDs on top only. | | | | | |

| | | | | | |
|---|--|----------|--|--|------|
| | | 120v | | | |
| | | 6w | | | |
| | | | | | IP54 |
| | | die cast | | | 1.3 |
| order code | | | | | |
| 6x1w D67146/G/D grey/daylight D67146/G/W grey/warm | | | | | |
| 3 LEDs on top, 3 LEDs on bottom. | | | | | |

| | | | | | |
|--|--|----------|--|--|------|
| | | 120v | | | |
| | | 3w | | | |
| | | | | | IP54 |
| | | die cast | | | 2.2 |
| order code | | | | | |
| 30x0.1w D67174/W/D white/daylight D67174/W/W white/warm D67174/G/D grey/daylight D67174/G/W grey/warm | | | | | |

| | | | | | |
|--|--|----------|--|--|------|
| | | 120v | | | |
| | | 3w | | | |
| | | | | | IP54 |
| | | die cast | | | 2.2 |
| order code | | | | | |
| 30x0.1w D67176/W/D white/daylight D67176/W/W white/warm D67176/G/D grey/daylight D67176/G/W grey/warm | | | | | |

Decorative LED - LED

LED out

Decorative LED ■ LED

178

| | | | | | | |
|------|------|----------|--|--|------|--|
| | | 120v | | | | order code 6x1w D67138C/G/D grey/daylight D67138C/G/W grey/warm |
| | | 6w | | | | |
| 3.5" | 3.6" | | | | IP54 | |
| | | die cast | | | 1.5 | |

| | | | | | | |
|------|------|----------|--|--|------|--|
| | | 120v | | | | order code 3x1w D67136E/G/D grey/daylight D67136E/G/W grey/warm |
| | | 3w | | | | |
| 2.8" | 3.1" | | | | IP54 | |
| | | die cast | | | 0.9 | |

| | | | | | | |
|------|------|----------|--|--|------|---|
| | | 120v | | | | order code 2x (3x1w) D67136/G/D grey/daylight D67136/G/W grey/warm |
| | | 6w | | | | |
| 2.8" | 4.3" | | | | IP54 | |
| | | die cast | | | 1.3 | |

| | | | | | | |
|-----------|------|----------|--|--|------|--|
| | | 120v | | | | order code 3x1w D67136F/G/D grey/daylight D67136F/G/W grey/warm |
| | | 3w | | | | |
| 2.6"x3.9" | 3.1" | | | | IP54 | |
| | | die cast | | | 0.9 | |

| | | | | | | |
|-----------|------|----------|--|--|------|---|
| | | 120v | | | | order code 2x (3x1w) D67136A/G/D grey/daylight D67136A/G/W grey/warm |
| | | 6w | | | | |
| 2.6"x3.9" | 4.3" | | | | IP54 | |
| | | die cast | | | 1.3 | |

| | | | | | |
|---|--|----------|-----|--------------|------|
| LED ENERGY | | 120v | | driver incl. | |
| | | 6w | LED | | |
| | | | | | IP54 |
| | | die cast | | lb 1.4 | |
| order code | | | | | |
| 6x1w D67138D/G/D grey/daylight D67138D/G/W grey/warm | | | | | |

| | | | | | |
|---|--|----------|-----|--------------|------|
| LED ENERGY | | 120v | | driver incl. | |
| | | 6w | LED | | |
| | | | | | IP54 |
| | | die cast | | lb 1.3 | |
| order code | | | | | |
| 6x1w D67138E/G/D grey/daylight D67138E/G/W grey/warm | | | | | |

| | | | | | |
|--|--|----------|-----|--------------|------|
| LED ENERGY | | 120v | | driver incl. | |
| | | 12w | LED | | |
| | | | | | IP54 |
| | | die cast | | lb 1.3 | |
| order code | | | | | |
| 2x (6x1w) D67138/G/D grey/daylight D67138/G/W grey/warm | | | | | |

| | | | | | |
|---|--|----------|-----|--------------|------|
| LED ENERGY | | 120v | | driver incl. | |
| | | 6w | LED | | |
| | | | | | IP54 |
| | | die cast | | lb 2.2 | |
| order code | | | | | |
| 6x1w D67138F/G/D grey/daylight D67138F/G/W grey/warm | | | | | |

| | | | | | |
|--|--|----------|-----|--------------|------|
| LED ENERGY | | 120v | | driver incl. | |
| | | 12w | LED | | |
| | | | | | IP54 |
| | | die cast | | lb 2.2 | |
| order code | | | | | |
| 2x (6x1w) D67138A/G/D grey/daylight D67138A/G/W grey/warm | | | | | |



Decorative LED - LED



LED mini series

Decorative LED ■ LED

180



LED
ENERGY



1.8"x3.1"

3.5"

| | | | |
|----------|-----|---------------|------|
| 12vAC | III | transf. excl. | |
| 1w | LED | ← | → |
| → | | | IP44 |
| die cast | | lb 0.7 | |

| order code | |
|--------------|---------------|
| D60012A/G/D | grey/daylight |
| D60012A/G/W | grey/warm |
| D60012A/G/BL | grey/blue |

Use magnetic 12v transformer.
Use plate D60000/G for BS box.

LED
ENERGY



1.8"x3.1"

4.2"










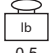
| | | | |
|----------|-----|---------------|------|
| 12vAC | III | transf. excl. | |
| 2x1w | LED | ← | → |
| → | | | IP44 |
| die cast | | lb 0.7 | |

| order code | |
|--------------|---------------|
| 2x1w | |
| D60012B/G/D | grey/daylight |
| D60012B/G/W | grey/warm |
| D60012B/G/BL | grey/blue |










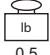
Use magnetic 12vAC transformer.
Use plate D60000/G for BS box.



Decorative LED ■ LED

| | | | | | | |
|---|---|---|--|--|--|---|
|  |  | 12vAC |  |  transf. excl. | IP44 | order code 2x1w D60014C/G/D grey/daylight D60014C/G/W grey/warm D60014C/G/BL grey/blue |
| | |  2x1w |  LED |  |  | |
| | |  | | | | |
| | | die cast | |  lb 0.5 | | |



| | | | | | | |
|---|---|---|--|--|--|--|
|  |  | 12vAC |  |  transf. excl. | | order code 2x1w D60016B/G/D grey/daylight D60016B/G/W grey/warm D0016B/G/BL grey/blue |
| | |  2x1w |  LED |  |  | |
| | |  | | | IP44 | |
| | | die cast | |  lb 0.5 | | |

LED glass

Decorative LED ■ LED

| | | | | | |
|--------------------------------|------------------|------|-----|-----|------|
| | | 120v | | | |
| | | 1w | LED | | |
| | | | | | IP54 |
| | natural aluminum | | | 1.0 | |
| order code | | | | | |
| D67220A/AL/D aluminum/daylight | | | | | |
| D67220A/AL/W aluminum/warm | | | | | |

| | | | | | |
|--------------------------------|------------------|------|-----|-----|------|
| | | 120v | | | |
| | | 1w | LED | | |
| | | | | | IP54 |
| | natural aluminum | | | 1.2 | |
| order code | | | | | |
| D67222A/AL/D aluminum/daylight | | | | | |
| D67222A/AL/W aluminum/warm | | | | | |















| | | | | | |
|--------------------------|----------|---------------|-----|-----|------|
| | | 100-230v UNI. | | | |
| | | 3w | LED | | |
| | | | | | IP54 |
| | die cast | | | 0.7 | |
| order code | | | | | |
| 1x3w | | | | | |
| D67170/G/D grey/daylight | | | | | |
| D67170/G/W grey/warm | | | | | |
| D67170/G/BL grey/blue | | | | | |

| | | | | | |
|--------------------------|----------|---------------|-----|-----|------|
| | | 100-230v UNI. | | | |
| | | 6w | LED | | |
| | | | | | IP54 |
| | die cast | | | 1.3 | |
| order code | | | | | |
| 2x3w | | | | | |
| D67172/G/D grey/daylight | | | | | |
| D67172/G/W grey/warm | | | | | |
| D67172/G/BL grey/blue | | | | | |



Decorative LED ■ LED

| | | | | | | | |
|---|---|---|---|---|---|---|-------------------|
|   |  |  | 120v |  |  | | order code |
| | | | 3w | LED |  |  | |
|  |  | |  | | | IP54 | |
| | | natural aluminum | |  | 2.0 | | |

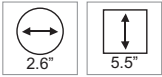
LED spots



Decorative LED ■ LED

184

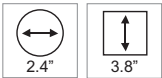
LED
ENERGY



| | | | |
|-----------------|-----|--------|------|
| 120v | | | IP54 |
| | LED | | |
| | | | |
| stainless steel | | lb 1.8 | |

| order code | |
|---|------------------|
| 3x1w D67128/C/D D67128/C/W | daylight warm |
| Ø 5" chrome cover plate, adaptor and gasket included. | |

LED
ENERGY



| | | | |
|-----------------|-----|--------|------|
| 120v | | | IP54 |
| | LED | | |
| | | | |
| stainless steel | | lb 1.2 | |

| order code | |
|----------------------------------|------------------|
| 3x1w D67168/C/D D67168/C/W | daylight warm |

LED
ENERGY



| | | | |
|------------------|-----|--------|------|
| 120v | | | IP54 |
| | LED | | |
| | | | |
| natural aluminum | | lb 2.5 | |

| order code | |
|------------------------------------|------------------------------------|
| 6x1w D67178/AL/D D67178/AL/W | aluminum/daylight aluminum/warm |
| Includes ground spike. | |







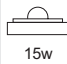






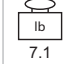
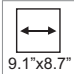

| | | | |
|---------|--|----|--|
| | | | |
| | | | |
| | | | |
| plastic | | lb | |

| order code | |
|-----------------------------------|--|
| D7010P | |
| Ground spike for D67168 & D67178. | |





Decorative LED ■ LED

| | | | | | | | |
|--|---|---|---|--|--|---|--|
|  |  | 120v |  |  driver incl. | | order code 15x1w D7022/G/D grey/daylight | |
| | |  15w |  LED |  |  | | |
| | |  |  |  | IP65 | | |
| | | die cast | |  lb 7.1 | | | |
|  9.1"x8.7"  3.1" | | | | | | | |



| | | | | | | |
|--|--|----------|-----|--|------|---|
| | | 120v | | | | order code 16x0.2w D67116/G/D grey/daylight D67116/G/W grey/warm D67116/G/BL grey/blue |
| | | 3.2w | LED | | | |
| | | | | | IP54 | |
| | | die cast | | | 1.0 | |

| | | | | | | |
|--|--|----------|-----|--|------|--|
| | | 120v | | | | order code 9x0.2w D67118/G/D grey/daylight D67118/G/W grey/warm D67118/G/BL grey/blue |
| | | 1.8w | LED | | | |
| | | | | | IP54 | |
| | | die cast | | | 1.0 | |



Decorative LED ■ Halogen

| | | | | | | |
|--|--|----------|--|--|------|---|
| | | 120v | | | | order code 15x0.1w D67126/G/D grey/daylight D67126/G/W grey/warm D67126/G/BL grey/blue |
| | | | | | | |
| | | | | | IP54 | |
| | | die cast | | | 0.9 | |
| | | | | | | |

| | | | | | | |
|--|--|----------|--|--|------|---|
| | | 120v | | | | order code 15x0.1w D67128/G/D grey/daylight D67128/G/W grey/warm D67128/G/BL grey/blue |
| | | | | | | |
| | | | | | IP54 | |
| | | die cast | | | 1.0 | |
| | | | | | | |

| | | | | | | |
|--|--|----------|--|--|------|---|
| | | 120v | | | | order code 15x0.1w D67122/G/D grey/daylight D67122/G/W grey/warm D67122/G/BL grey/blue |
| | | | | | | |
| | | | | | IP54 | |
| | | die cast | | | 09 | |
| | | | | | | |



LED
ENERGY



| | | | |
|----------|-----|--|------|
| 120v | | | |
| | LED | | |
| | | | IP54 |
| die cast | | | 1.0 |

| order code | |
|-------------------------------|---------------|
| 2x1w | |
| D67124/G/D | grey/daylight |
| D67124/G/W | grey/warm |
| D67124/G/BL | grey/blue |
| Cover plate adaptor included. | |



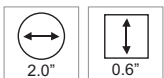
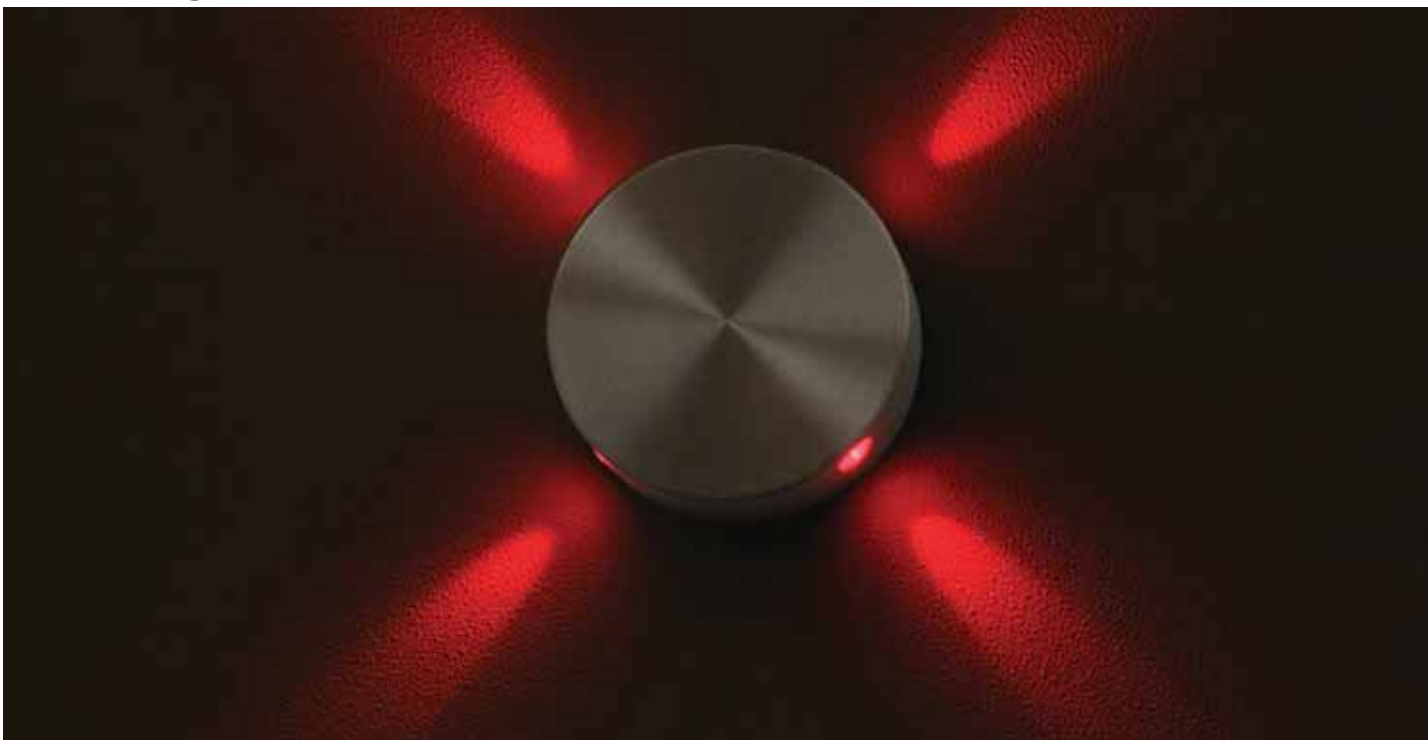
Decorative LED ■ LED

| | | | | | |
|-------------------------------|-------------|----------------|--------------|-----------|--|
| | | 120v/ 700mA | | | |
| | | | driver incl. | | |
| | | 3w | LED | | |
| | | → | 8.4"x2.7" | ↑ 2.8" | |
| 9.1" 3.3" | die cast | | 1.5 | | order code 1x3w D68036/G/D grey/daylight D68036/G/W grey/warm |
| Remote 700mA driver included. | | | | | |

LED the way

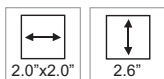
Decorative LED ■ LED

190



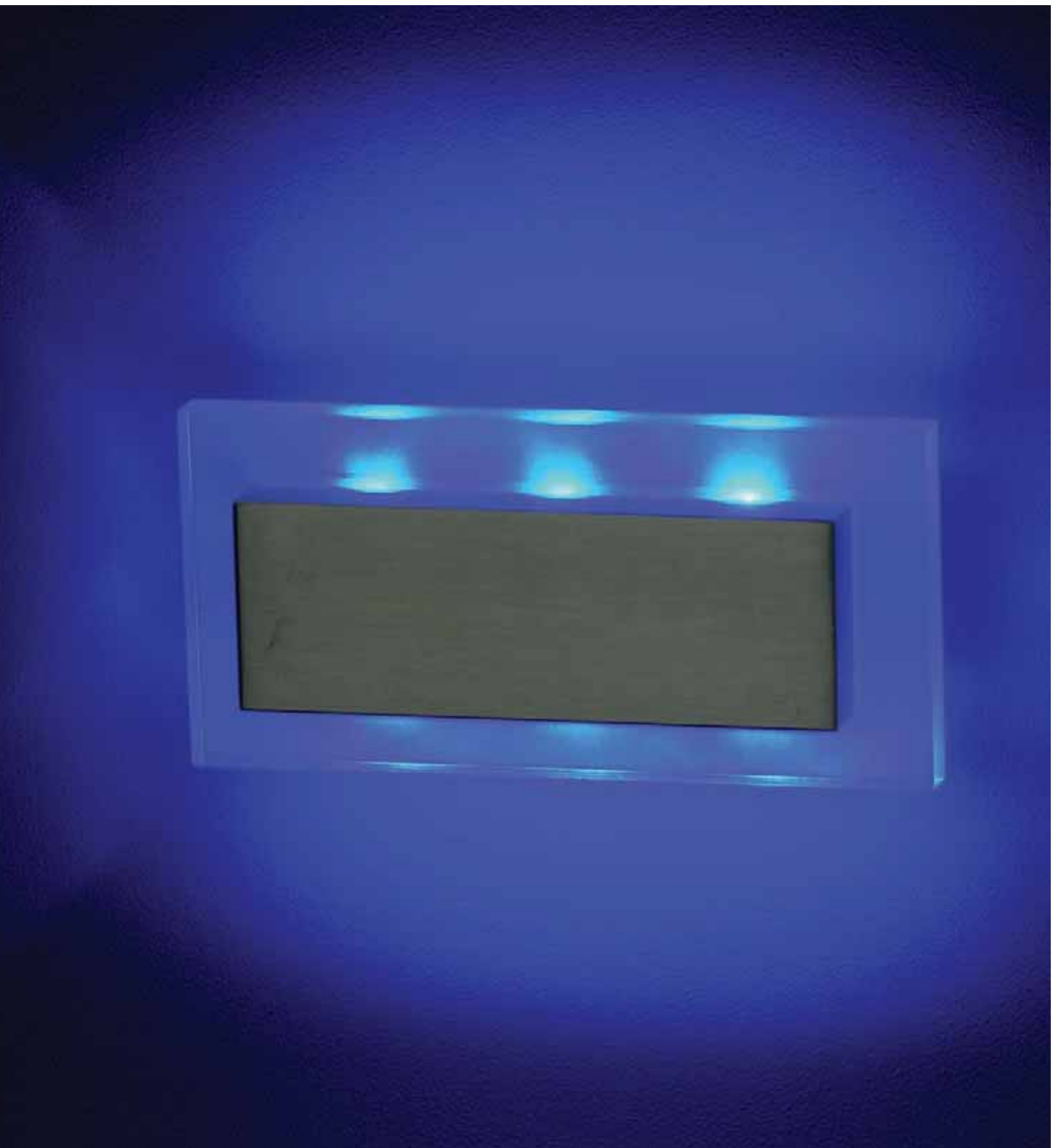
| | | | |
|------------------|------|------|-----|
| 120v | | | |
| | 0.2w | LED | |
| | | 1.6" | |
| natural aluminum | | | 0.4 |

| order code | |
|------------|----------|
| D68010/D | daylight |
| D68010/W | warm |
| D68010/BL | blue |
| D68010/GR | green |
| D68010/R | red |

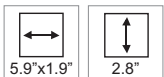


| | | | |
|------------------|----|------|---|
| 120v | | | |
| | 1w | LED | |
| | | 1.7" | |
| natural aluminum | | | 9 |

| order code | |
|------------|----------|
| D68011/D | daylight |
| D68011/W | warm |



Decorative LED ■ LED



| | | | |
|------------------|-----|--|-----|
| 120v | | | |
| | LED | | |
| | | | |
| natural aluminum | | | 1.4 |

| order code | |
|-----------------------------------|----------|
| 6x0.2w | |
| D60004/AL/D | daylight |
| D60004/AL/BL | blue |
| D60004/AL/GR | green |
| D60004/AL/R | red |
| 4"x6" cover plate & adaptor incl. | |





| | | | | | |
|-----------------------|--|---------------|--|--------------|--|
| LED ENERGY | | 100-230v UNI. | | driver incl. | IP54 |
| | | 3w | | | |
| | | | | | |
| | | die cast | | lb 0.7 | |
| | | | | | order code 1x3w D68030/G/D grey/daylight D68030/G/W grey/warm D68030/AL/D aluminum/daylight D68030/AL/W aluminum/warm |
| | | | | | For gypsum wall 2.0" depth required. For concrete installation 3.5" |

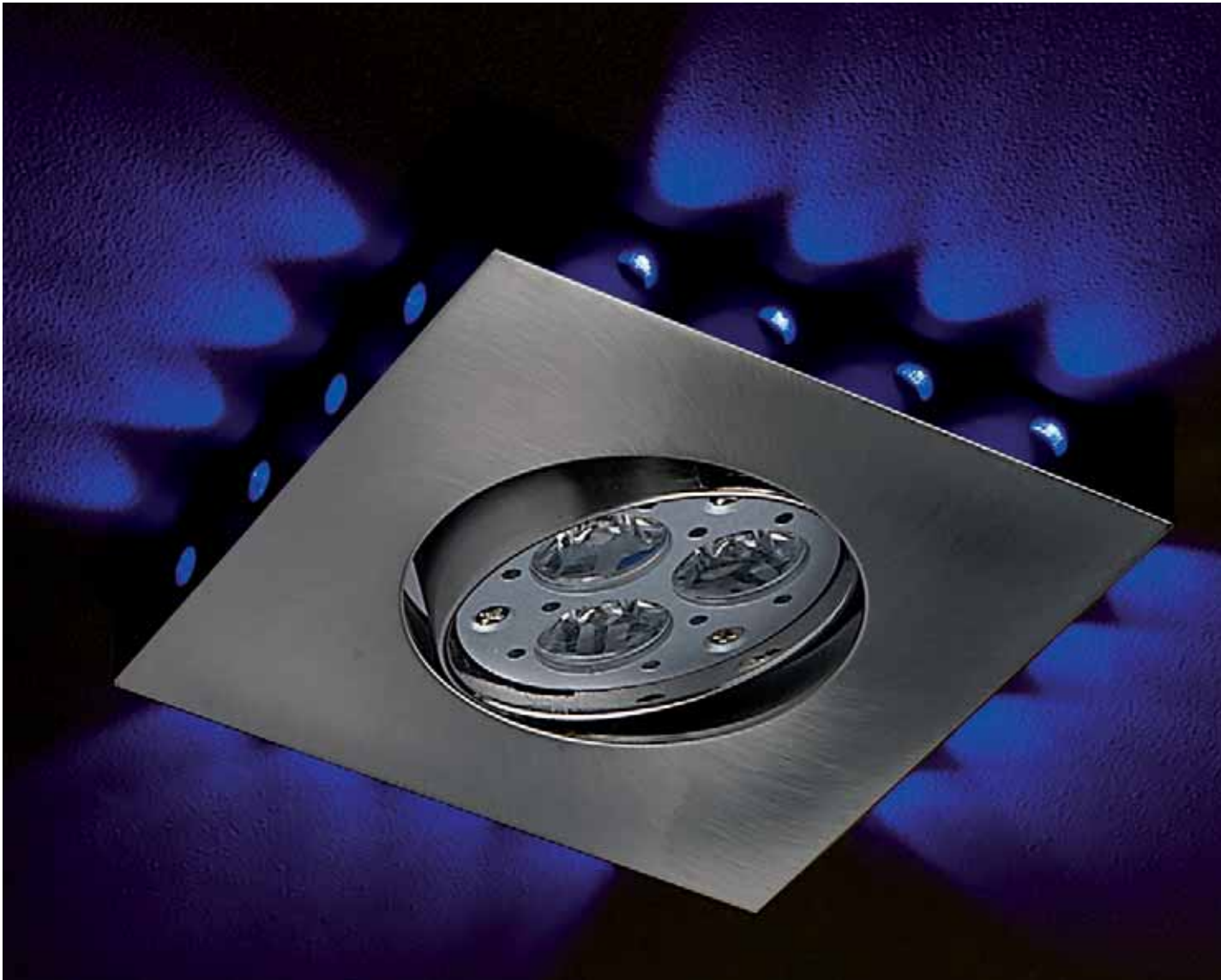
| | | | | | |
|-----------------------|--|---------------|--|--------------|--|
| LED ENERGY | | 100-230v UNI. | | driver incl. | IP54 |
| | | 3w | | | |
| | | | | | |
| | | die cast | | lb 0.7 | |
| | | | | | order code 1x3w D68032/G/D grey/daylight D68032/G/W grey/warm D68032/AL/D aluminum/daylight D68032/AL/W aluminum/warm |
| | | | | | For gypsum wall 2.0" depth required. For concrete installation 3.5" |



Decorative LED ■ LED

| | | | | | | | |
|-----------------------|--|----------|--|--|------|-------------------|---------------|
| LED ENERGY | | 120v | | | IP54 | order code | |
| | | | | | | D67240/G/D | grey/daylight |
| | | | | | | D67240/G/W | grey/warm |
| | | die cast | | | 1.0 | | |

| | | | | | | | |
|-----------------------|--|----------|--|--|------|-------------------|---------------|
| LED ENERGY | | 120v | | | IP54 | order code | |
| | | | | | | D67242/G/D | grey/daylight |
| | | | | | | D67242/G/W | grey/warm |
| | | die cast | | | 1.0 | | |



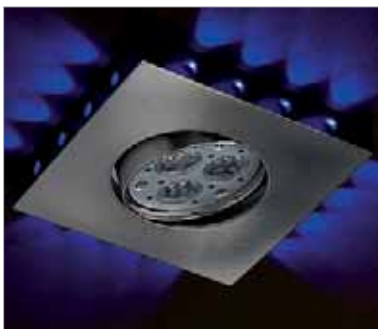
LED
ENERGY



| | | | |
|----------|------|--------|-------------|
| 120v | | | |
| | 5.3w | GU10 | |
| | | 3.3" | 4.3" |
| die cast | | lb 0.8 | |
| | | | housing n/a |

| order code | |
|--|--|
| 3w + 9x0.25w | |
| D11105G/MC/D br. chrome/daylight | |
| D11105G/MC/W br. chrome/warm | |
| D11105G/MC/BL br. chrome/blue | |
| Use 3w LED GU10 lamp. 9pcs perimeter LEDs operated independently. | |

LED
ENERGY



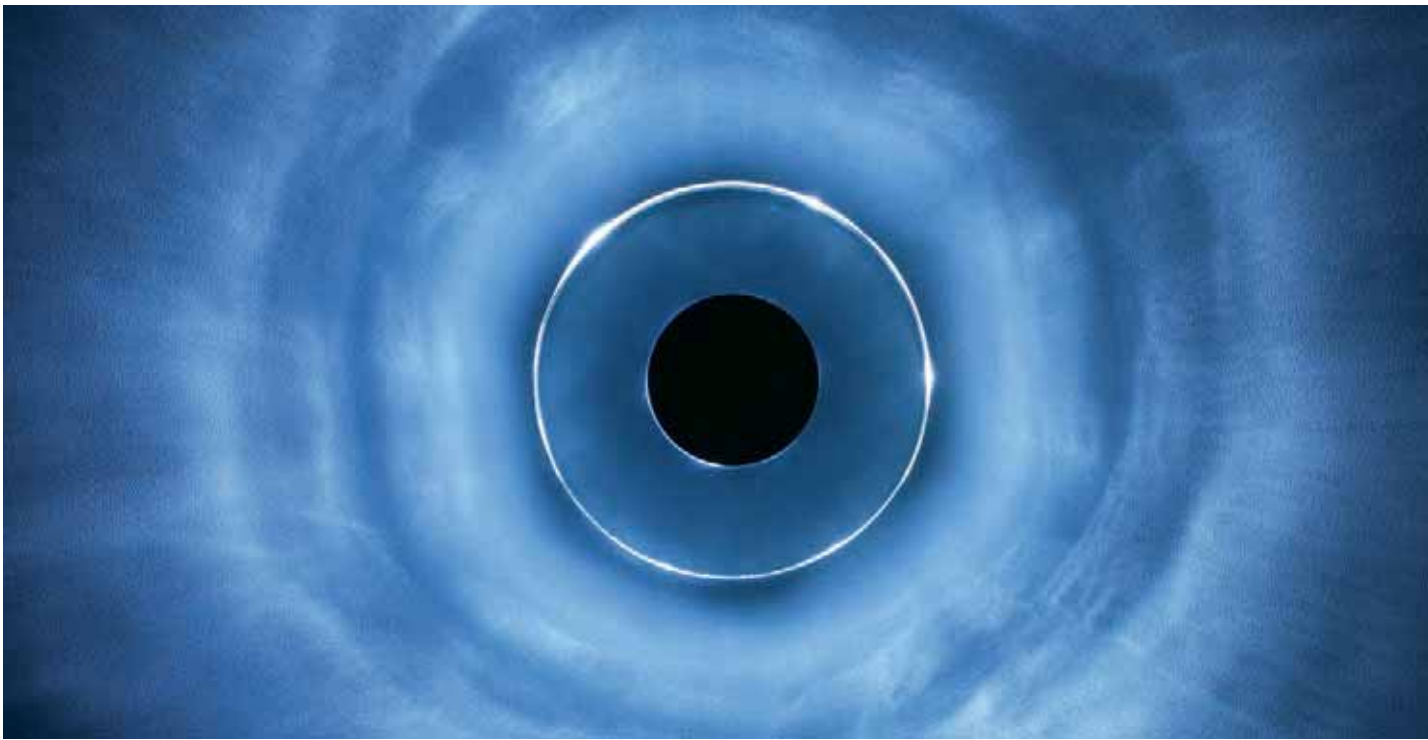
| | | | |
|----------|----|--------|-------------|
| 120v | | | |
| | 6w | GU10 | |
| | | 3.3" | 4.3" |
| die cast | | lb 1.0 | |
| | | | housing n/a |

| order code | |
|---|--|
| 3w + 12x0.25w | |
| D51105G/MC/D br. chrome/daylight | |
| D51105G/MC/W br. chrome/warm | |
| D51105G/MC/BL br. chrome/blue | |
| Use 3w LED GU10 lamp. 16pcs perimeter LEDs operated independently. | |



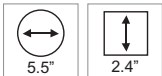
Decorative LED - LED

| | | | | | | | |
|---|------|----------|------|--|--------------|---|-------------|
| | | 120v | | | driver incl. | | |
| | | | 5.3w | | GU10 | | |
| | | | | | 3.3" | | 4.3" |
| | | die cast | | | 1.3 lb | | housing n/a |
| 5.5" | 3.9" | | | | | order code 3w + 9x0.25w D10105G/MC/D br. chrome/daylight D10105G/MC/W br. chrome/warm D10105G/MC/BL br. chrome/blue | |
| Use 3w LED GU10 lamp. 9pcs LED operated independently. | | | | | | | |



| | | | |
|------------------|-----|--|-----|
| 120v | | | |
| | LED | | |
| | | | |
| natural aluminum | | | 1.5 |

| order code | |
|--|----------|
| 6x0.2w | |
| D12101/AL/D | daylight |
| D12101/AL/W | warm |
| D12101/AL/BL | blue |
| Ø 5" chrome cover plate, and adaptor included. | |





Decorative LED ■ LED



| | | | |
|------------------|-----|--|--|
| 120v/ 350mA | | | |
| | LED | | |
| | | | |
| natural aluminum | 15° | | |

| order code | |
|--------------------------|----------|
| 4x1w | |
| D62401AL/D/15 | daylight |
| D62401AL/W/15 | warm |
| 15 indicates beam angle. | |



LED pedulum

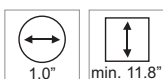
Decorative LED ■ LED

198



| | | | |
|---------------------------|--|--|--|
| 100-230v/ 700mA UNI | | | |
| | | | |
| | | | |
| natural aluminum | | | |

| order code | |
|--|------|
| D63001/AL/W | warm |
| D63001/AL/BL | blue |
| D63001/AL/R | red |
| 4-1/2"x4-1/2" cover plate & adaptor included. Solid aluminum housing. | |



LED pendulum



| | | | | | | |
|------|------------------|------------|--|-----|--|---|
| | | 120v/700mA | | | | order code 1x3w D63002/AL/W aluminum/warm D63002/AL/BL aluminum/blue |
| | | | | | | |
| | | | | | | |
| | natural aluminum | | | 1.3 | | Solid aluminum housing. |

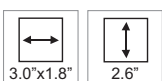
| | | | | | | |
|------|-------|------|--|-----|--|--|
| | | 120v | | | | order code 6x1w D38018/G/D grey/daylight D38018/G/W grey/warm |
| | | | | | | |
| | | | | | | |
| | metal | | | 5.5 | | |

| | | | | | | |
|------|----------|------|--|-----|--|---|
| | | 120v | | | | order code 224x0.07w D38016/W/D white/daylight D38016/W/W white/warm D38016/G/D grey/daylight D38016/G/W grey/warm |
| | | | | | | |
| | | | | | | |
| | die cast | | | 6.2 | | |

LED the light

Decorative LED ■ LED

200



| | | | |
|---------------------|---------|------------------|--|
| 120v/ 350mA | | driver incl. | |
| 1w | LED | | |
| | | | |
| natural aluminum | | lb 0.4 | |

| order code | |
|---------------|------|
| D60008A/AL/W | warm |
| D60008A/AL/BL | blue |



| | | | |
|---------------------|---------|------------------|--|
| 120v/ 350mA | | driver incl. | |
| 2x1w | LED | | |
| | | | |
| natural aluminum | | lb 0.6 | |

| order code | |
|--------------|----------|
| 2x1w | |
| D60008/AL/D | daylight |
| D60008/AL/W | warm |
| D60008/AL/BL | blue |

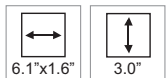


Decorative LED ■ LED



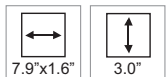
| | | | |
|---------------------|---------|------------------|--|
| 120v/ 350mA | | driver incl. | |
| 1w | LED | | |
| | | | |
| natural aluminum | | lb 0.4 | |

| order code | |
|--------------|----------|
| D60010/AL/D | daylight |
| D60010/AL/W | warm |
| D60010/AL/BL | blue |



| | | | |
|----------------|---------|------------------|--|
| 120v/ 700mA | | driver incl. | |
| 6w | LED | | |
| | | | |
| die cast | | lb 1.5 | |

| order code | |
|------------|------------|
| 2x3w | |
| D6026/W/W | white/warm |



| | | | |
|----------------|---------|------------------|--|
| 120v/ 700mA | | driver incl. | |
| 9w | LED | | |
| | | | |
| die cast | | lb 2.7 | |

| order code | |
|------------|------------|
| 3x3w | |
| D6026A/W/W | white/warm |

LED display



LED
ENERGY

fast
connection



350mA



die
cast



order code

D65101A/G/D/15 grey/daylight
D65101A/G/W/15 grey/warm

Driver required see page 310.
15 indicates beam angle.



Decorative LED ■ LED





Decorative LED ■ LED

| | | | | | | |
|--------------------------------------|--|----------|-----|--------------|-------|---|
| LED ENERGY fast connection | | 350mA | III | driver excl. | 15.7" | order code D65101B/G/D/15 grey/daylight D65101B/G/W/15 grey/warm |
| | | 1w | LED | | | |
| | | | | | | Driver required see page 310. 15 indicates beam angle. |
| | | die cast | 15° | lb 0.2 | | |

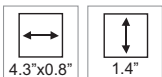
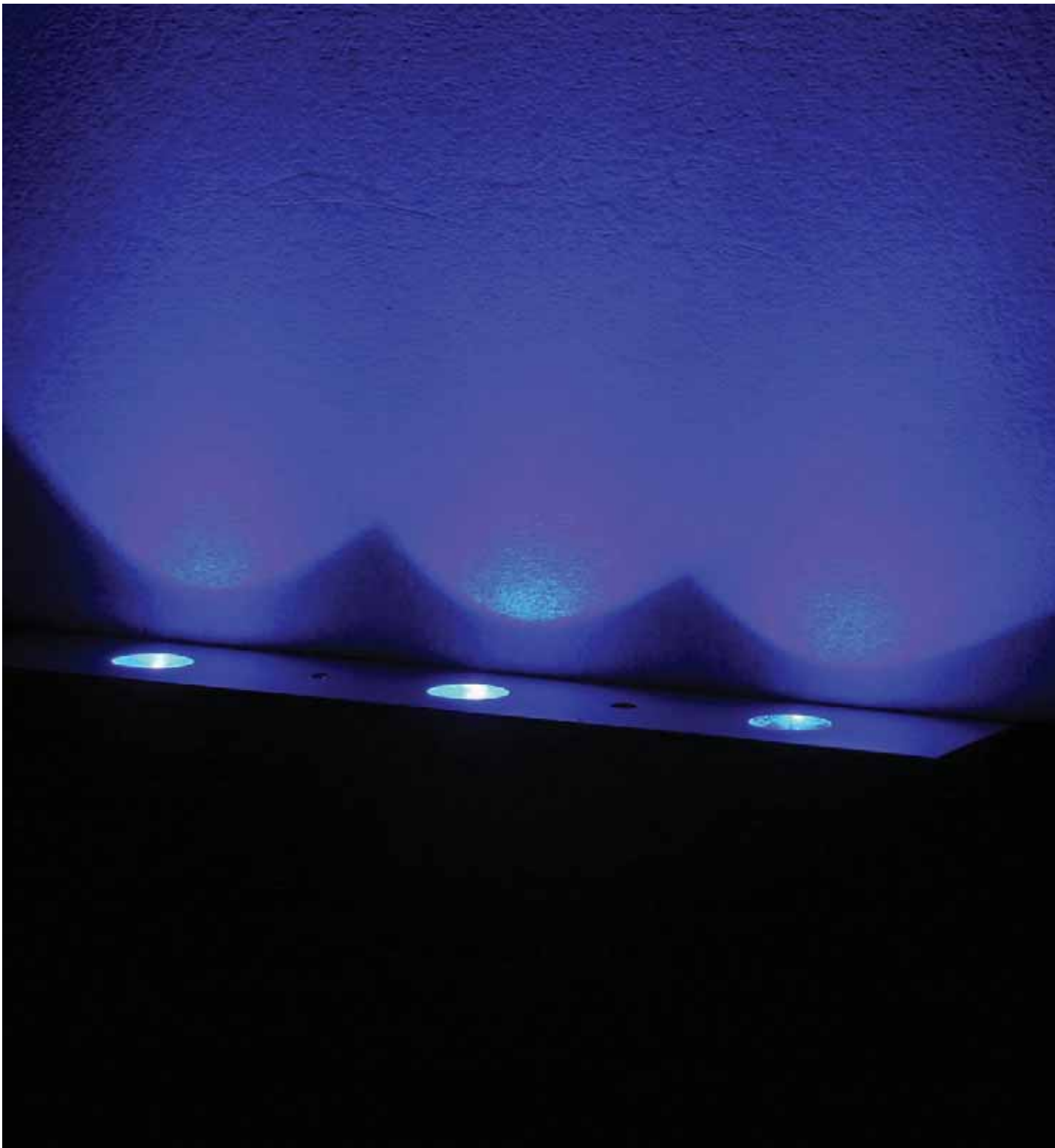
| | | | | | | |
|--------------------------------------|--|----------|-----|--------------|-------|---|
| LED ENERGY fast connection | | 350mA | III | driver excl. | 15.7" | order code D65101C/G/D/15 grey/daylight |
| | | 1w | LED | | | |
| | | | | | | Driver required see page 310. 15 indicates beam angle. |
| | | die cast | 15° | lb 0.4 | | |

| | | | | | | |
|-------------------|--|------------|-----|--------------|--|---|
| LED ENERGY | | 120v/350mA | | driver incl. | | order code D60006/G/D grey/daylight D60006/G/W grey/warm |
| | | 1w | LED | | | |
| | | | | | | |
| | | die cast | | lb 0.5 | | |

LED the light

Decorative LED ■ LED

204






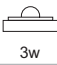








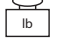







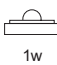







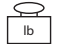
| | | | |
|------------------|--------------|-----|--|
| 120v | | | |
| | driver incl. | | |
| | 0.6w | LED | |
| | | | |
| | | | |
| natural aluminum | | | |
| | | lb | |
| | | 0.4 | |

| order code | |
|---------------|----------|
| 3x0.2w | |
| D60001/AL/D | daylight |
| D60001/AL/BL | blue |
| D60001/AL/GR | green |
| D60001/AL/R | red |
| D60001/AL/Y | yellow |



Decorative LED - LED

| | | | | | | |
|---|---|---|---|---|---|--|
|   |  | 120v |  |  | | order code D65130/AL/W warm |
| | |  |  |  | | |
|  2.4" |  11.8" |  |  |  |  | |
| | | natural aluminum | |  | | |

| | | | | | | |
|---|--|---|---|---|---|---|
|   |  | 100-230v/ 350mA UNI. |  |  | | order code D65102/D daylight D65102/W warm |
| | |  |  |  | | |
|  3.7"x3.7" |  6.8" |  |  | |  | |
| | | natural aluminum | |  | 1.7 | |

LED display

Decorative LED ■ LED

206

natural aluminum **LED ENERGY**

fast connection

dimmi**ble**

1.0" 1.6"



| | | | |
|----------|-----|--------|--|
| 350mA | | | |
| | LED | | |
| | | | |
| die cast | | lb 0.1 | |

order code

1x1w
D60020/AL/D aluminum/daylight
D60020/AL/W aluminum/warm

Requires 350mA driver, page 310.

natural aluminum **LED ENERGY**

fast connection

dimmi**ble**

2.4"x1.2" 3.3"



| | | | |
|----------------|-----|--------|--|
| 100-230V/350mA | | | |
| | LED | | |
| | | | |
| die cast | | lb 0.5 | |

order code

1x1w
D60018/AL/D aluminum/daylight
D60018/AL/W aluminum/warm

natural aluminum **LED ENERGY**

fast connection

dimmi**ble**

1.0" 16.4"



| | | | |
|----------|-----|--------|--|
| 350mA | | | |
| | LED | | |
| | | | |
| die cast | | lb 0.2 | |

order code

1x1w
D60022/AL/D aluminum/daylight
D60022/AL/W aluminum/warm

Requires 350mA driver, page 310.

natural aluminum **LED ENERGY**

fast connection

dimmi**ble**

1.0" 11.8"



| | | | |
|----------|-----|--------|--|
| 350mA | | | |
| | LED | | |
| | | | |
| die cast | | lb 0.4 | |

order code

1x1w
D60024/AL/D aluminum/daylight
D60024/AL/W aluminum/warm

Requires 350mA driver, page 310.

natural aluminum **LED ENERGY**

fast connection

dimmi**ble**

2.4"x1.2" 12.2"



| | | | |
|----------|-----|--------|--|
| 120 | | | |
| | LED | | |
| | | | |
| die cast | | lb 0.7 | |

order code









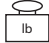

2x1w
D60026/G/D grey/daylight
D60026/G/W grey/warm

LED closet display



Decorative LED ■ LED

207

| | | | | | |
|---|---|--|---|---|---|
|  |  | 12vDC |  |  transf. excl. | IP67 |
| | | 5w/ft | LED |  |  |
| | |  |  | | Lumens 200 |
| | | stainless steel | 120° |  | |
|  | | order code LED illuminated closet rod ELR-21111121-24 warm-white 2ft ELR-21111121-48 warm-white 4ft ELR-21111121-60 warm-white 6ft | | | |
| Supplied with high output LED light module (standard). Custom lengths available. | | | | | |

task LED

Decorative LED ■ LED

208









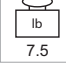
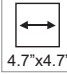











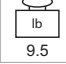
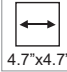

LED
ENERGY








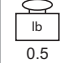
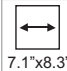






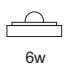



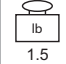
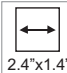

| | | | |
|----------|--------------|-------|--|
| 120v | | | |
| | driver incl. | 5.0ft | |
| | | | |
| 3w | LED | | |
| | | | |
| die cast | | | |
| | | 1.9 | |

| order code | |
|-------------|------------|
| 1x3w | |
| D61006/W/W | white/warm |
| D61006/B/W | black/warm |
| D61006/G/W | grey/warm |

| | | | | | |
|--|--|---|---|--|--|
|  | 120v |  |  driver incl. |  5.0ft | order code 56x0.07w D61002/B/D black/daylight |
| |  4w |  LED |  | | |
| |  | | | | |
| | die cast + crystal | |  lb 7.5 | | |
|  4.7"x4.7"  23.6" | | | | | |

| | | | | | |
|--|--|---|--|---|---|
|  | 120v |  |  driver incl. |  5.0ft | order code 112x0.07w D61004/B/D black/daylight |
| |  8w |  LED |  | | |
| |  | | | | |
| | die cast + crystal | |  lb 9.5 | | |
|  4.7"x4.7"  27.6" | | | | | |

| | | | | | |
|--|---|--|--|--|--|
|  | 120v |  |  driver incl. | | order code 1x1w LED+E27 20w D65132/MC/W br. chrome/warm |
| |  1w LED + 20w E27 |  LED + E27 |  | | |
| |  | | | | |
| | die cast | |  lb 0.5 | | |
|  7.1"x8.3"  19.7" | | | | | |

| | | | | | |
|--|--|---|--|--|--|
|  | 120v |  |  driver incl. | | order code 2x3w D65134/AL/W aluminum/warm |
| |  6w |  LED |  | | |
| |  | | | | |
| | natural aluminum | |  lb 1.5 | | |
|  2.4"x1.4"  11.8" | | | | | |



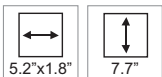
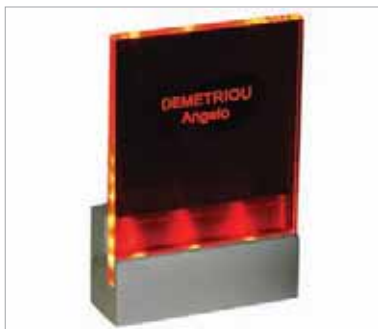
Decorative LED - LED





| | | | |
|------------------|-----|--------|--|
| 120v | | | |
| | LED | | |
| | | | |
| natural aluminum | | lb 0.9 | |

| order code | |
|----------------------------|----------|
| 3x0.2w | |
| D60002/AL/D | daylight |
| D60002/AL/BL | blue |
| Laser engraving available. | |



| | | | |
|------------------|-----|--------|--|
| 120v | | | |
| | LED | | |
| | | | |
| natural aluminum | | lb 2.5 | |

| order code | |
|----------------------------|----------|
| 3x0.2w | |
| D60003/AL/D | daylight |
| D60003/AL/BL | blue |
| Laser engraving available. | |

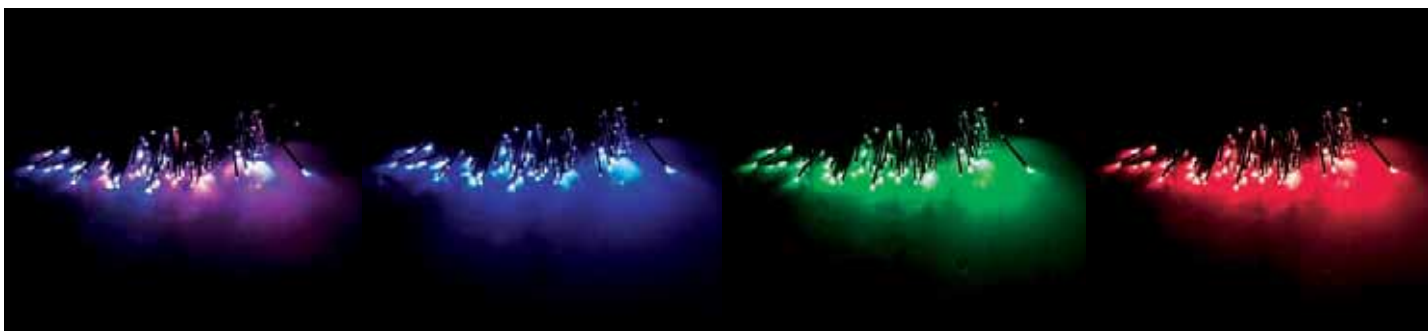


LED fiber optic



Decorative LED ■ LED

212



LED
ENERGY



| | | | |
|------|-----|--------------|-------|
| 120v | | | |
| | | driver incl. | 6.6ft |
| | | | |
| 3.5w | LED | | |
| | | | |
| | | lb | |

| order code | |
|------------|-----|
| D39002/RGB | RGB |

Suitable for bathrooms
 120 fibers
 40 pcs 3.3ft
 40 pcs 4.9ft
 40 pcs 6.6ft





Decorative LED ■ LED

| | | | | | | |
|--|--|-------|-----|-----------|--|---|
| | | 120v | | | | order code D9C003/F flame D9C003/RGB RGB |
| | | 0.06w | LED | | | |
| | | | | | | |
| | | glass | | lb 2.5 | | |
| | | | | | | Set of 3 candle holders with glass. (rechargeable) |

| | | | | | | |
|--|--|-------|-----|-----------|--|---|
| | | | | | | order code D9C001/F flame D9C001/RGB RGB |
| | | 0.06w | LED | | | |
| | | | | | | |
| | | glass | | lb 0.6 | | |
| | | | | | | Extra candle holders with glass. (rechargeable) |





SOLAVANTI LIGHTING, LLC

Dallas, Texas

Tel.: 1.866.356.4458

Fax: 1.866.516.1924

www.solavantilighting.com

