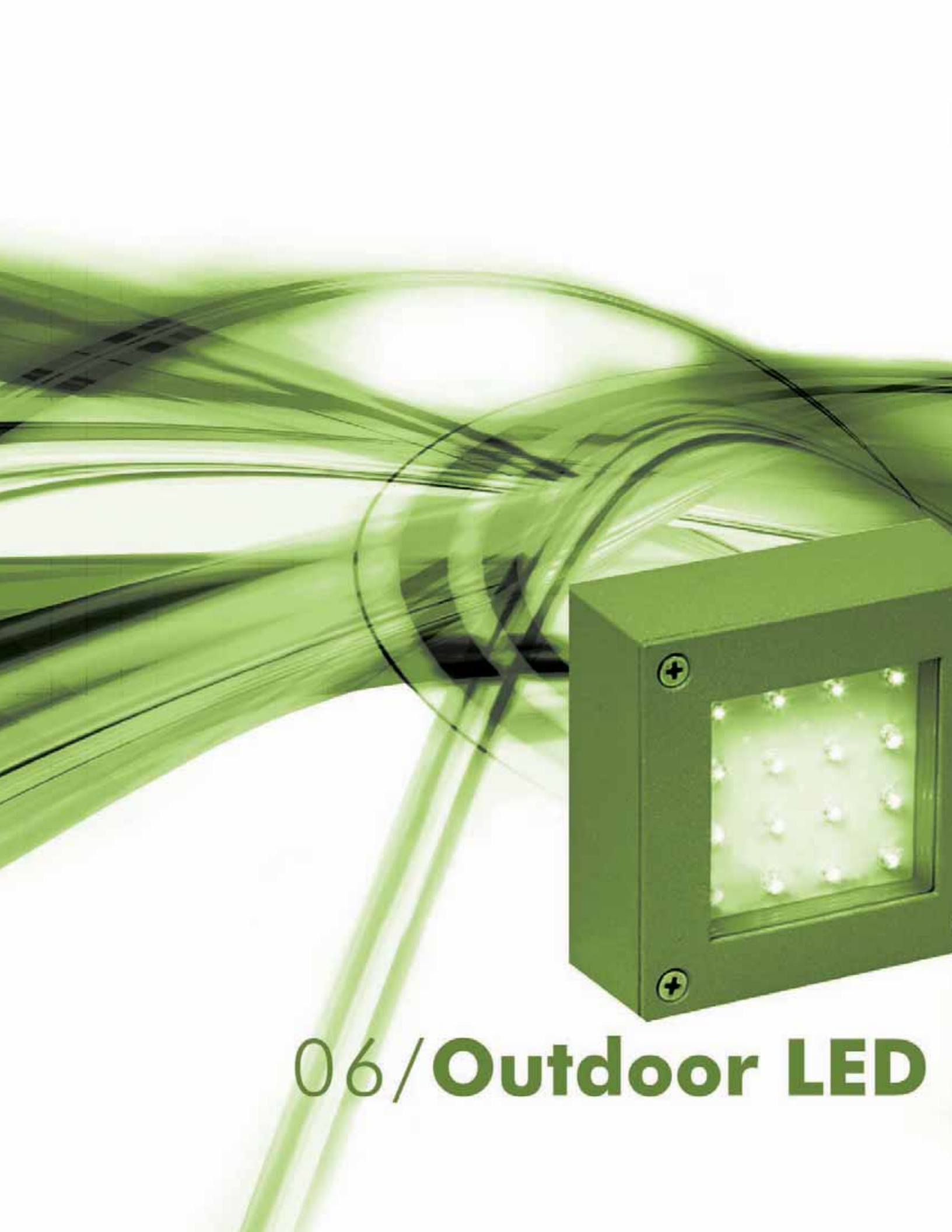




**solavanti** lighting



DESIGN

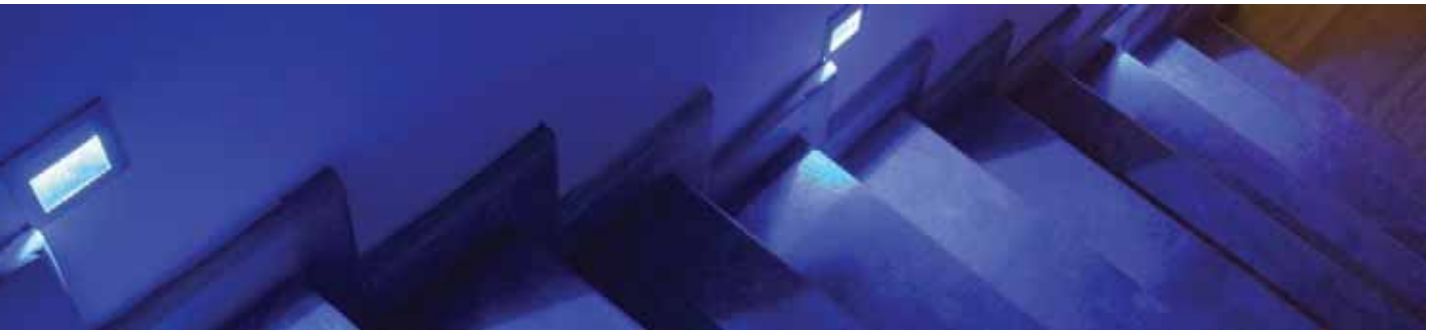


06/**Outdoor LED**



<b>LED ENERGY</b> 		120v		driver incl.	
		1.4w			
4.9"			4.1"	4.5"	IP54
		die cast		lb 0.9	
<b>order code</b> <b>14x0.1w</b> D68022/G/D      grey/daylight D68022/G/W      grey/warm D68022/G/BL      grey/blue					
Supplied with box for concrete installation and kit for gypsum installation.					

<b>LED ENERGY</b> 		120v		driver incl.	
		1.4w			
4.9"x4.9"			4.1"	4.5"	IP54
		die cast		lb 0.9	
<b>order code</b> <b>14x0.1w</b> D68024/G/D      grey/daylight D68024/G/W      grey/warm					
Supplied with box for concrete installation and kit for gypsum installation.					



Outdoor LED - LED Recessed

<b>LED ENERGY</b>   5.4"x3.7"		120v		 driver incl.	
		 1.5w			
			 3.1"x4.7"	 3.5"	IP54
		die cast		 0.1	
					<b>order code</b> 15x0.1w D68012/G/D            grey/daylight D68012/G/W            grey/warm D68012/G/BL           grey/blue Supplied with box for concrete installation and kit for gypsum installation.

<b>LED ENERGY</b>   7.3"x5.4"		120v		 driver incl.	
		 2.7w			
			 6.7"x4.7"	 3.5"	IP54
		die cast		 1.7	
					<b>order code</b> 27x0.1w D68016/G/D            grey/daylight D68016/G/W            grey/warm Supplied with box for concrete installation and kit for gypsum installation.

<b>LED ENERGY</b>   4.1"x9.3"		120v		 driver incl.	
		 1.5w			
			 3.3"x8.7"	 3.5"	IP54
		die cast		 1.7	
					<b>order code</b> 15x0.1w D68018/G/D            grey/daylight D68018/G/W            grey/warm Supplied with box for concrete installation and kit for gypsum installation.

<b>LED ENERGY</b>   7.3"x9.2"		120v		 driver incl.	
		 2.7w			
			 6.7"x8.3"	 3.5"	IP54
		die cast		 2.2	
					<b>order code</b> 27x0.1w D68020/G/D            grey/daylight D68020/G/W            grey/warm Supplied with box for concrete installation and kit for gypsum installation.

# LED me walk

Outdoor LED - LED Recessed



262



**LED ENERGY**

fast connection



120v/12v



transf. incl.



3x0.2w

LED



IP67



1.3"



3.1"

natural aluminum



3.9

## order code

**3x0.2w**

D69003/D	daylight
D69003/W	warm
D69003/BL	blue
D69003/GR	green

Kit includes 3 fittings, connecting box, 1000mA outdoor transformer and boxes for concrete installation.

**LED ENERGY**

DARK LIGHT



100-230v UNI.



driver incl.



3w

LED



3.9"x1.4"



2.6"

IP54

die cast



1.6

## order code

**1x3w**

D68044/W/D	white/daylight
D68044/W/W	white/warm
D68044/W/BL	white/blue





Outdoor LED - LED Recessed



4.1"x4.1"

120v			
	2.4w		LED
	3.5"x3.5"		2.6"
stainless steel			1.6

order code	
<b>12x0.2w</b>	
D68001/D	daylight
D68001/W	warm
D68001/BL	blue
D68001/R	red
D68001/BS/W	brass/warm

Supplied with box for concrete installation and kit for gypsum installation.



4.3"x1.8"

120v			
	2.4w		LED
	3.9"x1.4"		2.6"
stainless steel			0.7

order code	
<b>12x0.2w</b>	
D68002/D	daylight
D68002/W	warm
D68002/BL	blue
D68002/R	red
D68002/BS/W	brass/warm

Supplied with box for concrete installation and kit for gypsum installation.







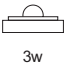








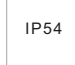
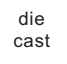



6.7"x2.8"





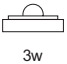








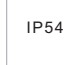
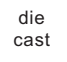



120v			
	3.2w		LED
	6.1"x2.0"		2.8"
stainless steel			1.6

order code	
<b>16x0.2w</b>	
D68003/D	daylight
D68003/W	warm
D68003/BL	blue
D68003/R	red
D68003/BS/W	brass/warm

Supplied with box for concrete installation and kit for gypsum installation.





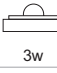





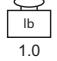






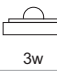



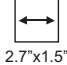

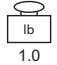
<b>LED ENERGY</b>		100-230v UNI.			
<b>DARK LIGHT</b>					
					
					
<b>order code</b>					
<b>1x3w</b>					
D68030/G/D		grey/daylight			
D68030/G/W		grey/warm			
D68030/AL/D		aluminum/daylight			
D68030/AL/W		aluminum/warm			
For gypsum wall 2.0" depth required. For concrete installation 3.5"					

<b>LED ENERGY</b>		100-230v UNI.			
<b>DARK LIGHT</b>					
					
					
<b>order code</b>					
<b>1x3w</b>					
D68032/G/D		grey/daylight			
D68032/G/W		grey/warm			
D68032/AL/D		aluminum/daylight			
D68032/AL/W		aluminum/warm			
For gypsum wall 2.0" depth required. For concrete installation 3.5"					

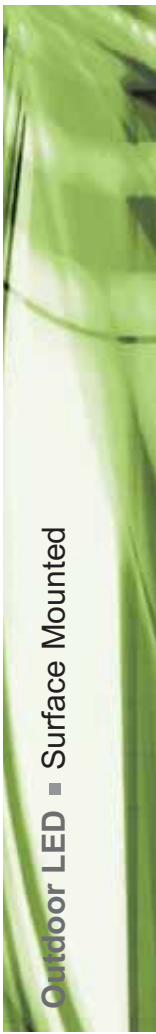


Outdoor LED ■ Surface Mounted

<b>LED ENERGY</b> 		120v									
											
 		→			IP54						
	die cast										
<table border="1"> <thead> <tr> <th colspan="2">order code</th> </tr> </thead> <tbody> <tr> <td>D67240/G/D</td> <td>grey/daylight</td> </tr> <tr> <td>D67240/G/W</td> <td>grey/warm</td> </tr> </tbody> </table>						order code		D67240/G/D	grey/daylight	D67240/G/W	grey/warm
order code											
D67240/G/D	grey/daylight										
D67240/G/W	grey/warm										

<b>LED ENERGY</b> 		120v									
											
 		→			IP54						
	die cast										
<table border="1"> <thead> <tr> <th colspan="2">order code</th> </tr> </thead> <tbody> <tr> <td>D67242/G/D</td> <td>grey/daylight</td> </tr> <tr> <td>D67242/G/W</td> <td>grey/warm</td> </tr> </tbody> </table>						order code		D67242/G/D	grey/daylight	D67242/G/W	grey/warm
order code											
D67242/G/D	grey/daylight										
D67242/G/W	grey/warm										





<b>LED ENERGY</b>		120v				<b>order code</b>
<b>DARK LIGHT</b>					2x3w D67248/G/D D67248/G/W	
					IP54	
		die cast			lb 2.9	

<b>LED ENERGY</b>		120v				<b>order code</b>
<b>DARK LIGHT</b>					2x3w D67250/G/D D67250/G/W	
					IP54	
		die cast			lb 3.3	

<b>DARK LIGHT</b>	<b>LED ENERGY</b>		120v				<b>order code</b>
						4x1w D67244/G/D D67244/G/W D67244/AL/W	
					IP54		
		diecast/ aluminum			lb 2.4		

<b>DARK LIGHT</b>	<b>LED ENERGY</b>		120v				<b>order code</b>
						4x1w D67246/G/D D67246/G/W D67246/AL/W	
					IP54		
		diecast/ aluminum			lb 4.0		

# LED me out

Outdoor LED - Surface Mounted

268



		120v				<b>order code</b>  <b>16x0.2w</b> D67116/G/D      grey/daylight D67116/G/W      grey/warm D67116/G/BL      grey/blue
					IP54	
		die cast			1.0	

		120v				<b>order code</b>  <b>9x0.2w</b> D67118/G/D      grey/daylight D67118/G/W      grey/warm D67118/G/BL      grey/blue
					IP54	
		die cast			1.0	

		120v				<b>order code</b>  <b>2x1w</b> D67124/G/D      grey/daylight D67124/G/W      grey/warm D67124/G/BL      grey/blue
					IP54	
		die cast			1.0	Cover plate adaptor included.



Outdoor LED - Surface Mounted

		120v		driver incl.		<b>order code</b> <b>15x0.1w</b> D67122/G/D      grey/daylight D67122/G/W      grey/warm D67122/G/BL      grey/blue	
		1.5w	LED				
					IP54		
		die cast		lb 09			
5.3"	1.3"						

		120v		driver incl.		<b>order code</b> <b>15x0.1w</b> D67126/G/D      grey/daylight D67126/G/W      grey/warm D67126/G/BL      grey/blue	
		1.5w	LED				
					IP54		
		die cast		lb 0.9			
5.3"	1.3"						

		120v		driver incl.		<b>order code</b> <b>15x0.1w</b> D67128/G/D      grey/daylight D67128/G/W      grey/warm D67128/G/BL      grey/blue	
		1.5w	LED				
					IP54		
		die cast		lb 1.0			
4.3"	2.0"						

# LED me out

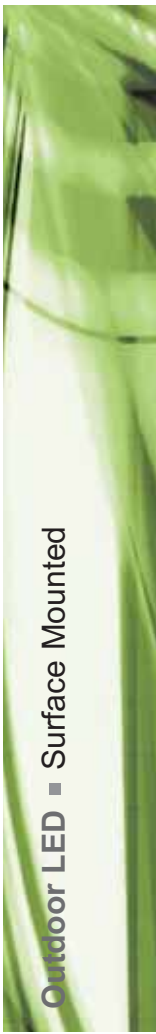
Outdoor LED - Surface Mounted



270

		120v		driver incl.	120"	<b>order code</b>  2x (16x0.2w) D67152/G/D      grey/daylight D67152/G/W      grey/warm
		3.2w			IP54	
		die cast		lb 1.8		
4.7"x1.8" 7.9"						Both sides with LEDs.

		120v		driver incl.	120"	<b>order code</b>  2x (16x0.2w) D67154/G/D      grey/daylight D67154/G/W      grey/warm
		3.2w			IP54	
		die cast		lb 3.9		
4.7"x1.8" 23.6"						Both sides with LEDs.

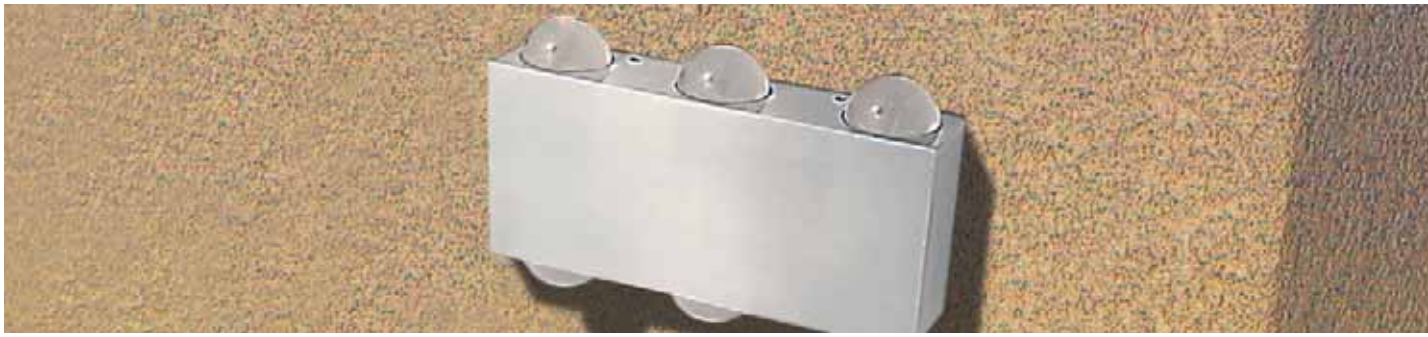


Outdoor LED ■ Surface Mounted

		120v				<b>order code</b>  <b>12x0.2w</b> D67150/G/D      grey/daylight D67150/G/W      grey/warm	
			2.4w				
							IP54
		die cast			2.1		
 6.7"x4.7"	 1.8"						

		120v				<b>order code</b>  <b>3x1w</b> D67140/G/D      grey/daylight D67140/G/W      grey/warm	
			3w				
							IP54
		die cast			2.2		
 2.6"x2.6"	 7.5"						

		120v				<b>order code</b>  <b>3x1w</b> D67278/AL      aluminum	
			3w				
							IP54
		die cast			4.8		
 3.1"x2.5"	 23.6"						



			120v									
						IP54						
			die cast			1.4						
<table border="1"> <thead> <tr> <th colspan="2">order code</th> </tr> </thead> <tbody> <tr> <td>1x4w</td> <td>D67274/AL/W aluminum/warm</td> </tr> <tr> <td>D67274/AL/W</td> <td>aluminum/warm</td> </tr> </tbody> </table>							order code		1x4w	D67274/AL/W aluminum/warm	D67274/AL/W	aluminum/warm
order code												
1x4w	D67274/AL/W aluminum/warm											
D67274/AL/W	aluminum/warm											

			120v											
						IP54								
			die cast			1.4								
<table border="1"> <thead> <tr> <th colspan="2">order code</th> </tr> </thead> <tbody> <tr> <td>2x1w</td> <td>D67274A/AL/W aluminum/warm</td> </tr> <tr> <td>D67274A/AL/W</td> <td>aluminum/warm</td> </tr> <tr> <td>D67274A/AL/BL</td> <td>aluminum/blue</td> </tr> </tbody> </table>							order code		2x1w	D67274A/AL/W aluminum/warm	D67274A/AL/W	aluminum/warm	D67274A/AL/BL	aluminum/blue
order code														
2x1w	D67274A/AL/W aluminum/warm													
D67274A/AL/W	aluminum/warm													
D67274A/AL/BL	aluminum/blue													

			120v											
						IP54								
			die cast			2.5								
<table border="1"> <thead> <tr> <th colspan="2">order code</th> </tr> </thead> <tbody> <tr> <td>4x1w</td> <td>D67274B/AL/W aluminum/warm</td> </tr> <tr> <td>D67274B/AL/W</td> <td>aluminum/warm</td> </tr> <tr> <td>D67274B/AL/BL</td> <td>aluminum/blue</td> </tr> </tbody> </table>							order code		4x1w	D67274B/AL/W aluminum/warm	D67274B/AL/W	aluminum/warm	D67274B/AL/BL	aluminum/blue
order code														
4x1w	D67274B/AL/W aluminum/warm													
D67274B/AL/W	aluminum/warm													
D67274B/AL/BL	aluminum/blue													

			120v											
						IP54								
			die cast			1.6								
<table border="1"> <thead> <tr> <th colspan="2">order code</th> </tr> </thead> <tbody> <tr> <td>6x1w</td> <td>D67274C/AL/W aluminum/warm</td> </tr> <tr> <td>D67274C/AL/W</td> <td>aluminum/warm</td> </tr> <tr> <td>D67274C/AL/BL</td> <td>aluminum/blue</td> </tr> </tbody> </table>							order code		6x1w	D67274C/AL/W aluminum/warm	D67274C/AL/W	aluminum/warm	D67274C/AL/BL	aluminum/blue
order code														
6x1w	D67274C/AL/W aluminum/warm													
D67274C/AL/W	aluminum/warm													
D67274C/AL/BL	aluminum/blue													

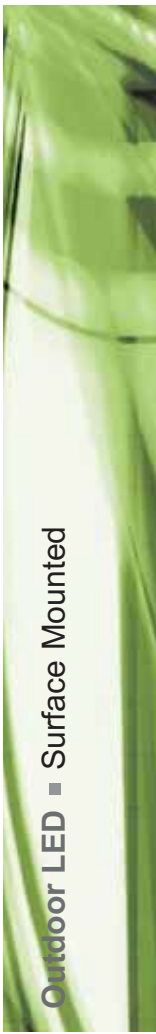
				120v			
				4w	LED		
							IP54
			die cast			1.4	
<b>order code</b>							
<b>4x1w</b> D67148/G/D      grey/daylight D67148/G/W      grey/warm							

				120v			
				3w	LED		
							IP54
			die cast			1.3	
<b>order code</b>							
<b>3x1w</b> D67144/G/D      grey/daylight D67144/G/W      grey/warm							
3 LEDs on top only.							

				120v			
				6w	LED		
							IP54
			die cast			1.3	
<b>order code</b>							
<b>6x1w</b> D67146/G/D      grey/daylight D67146/G/W      grey/warm							
3 LEDs on top, 3 LEDs on bottom.							

				120v			
				3w	LED		
							IP54
			die cast			2.2	
<b>order code</b>							
<b>30x0.1w</b> D67174/W/D      white/daylight D67174/W/W      white/warm D67174/G/D      grey/daylight D67174/G/W      grey/warm							

				120v			
				3w	LED		
							IP54
			die cast			2.2	
<b>order code</b>							
<b>30x0.1w</b> D67176/W/D      white/daylight D67176/W/W      white/warm D67176/G/D      grey/daylight D67176/G/W      grey/warm							



Outdoor LED - Surface Mounted

# LED out

Outdoor LED - Surface Mounted

274

		120v		driver incl.	
		6w			
3.5"	3.6"				IP54
die cast			lb 1.5		
<b>order code</b> <b>6x1w</b> D67138C/G/D      grey/daylight D67138C/G/W      grey/warm					

		120v		driver incl.	
		3w			
2.8"	3.1"				IP54
die cast			lb 0.9		
<b>order code</b> <b>3x1w</b> D67136E/G/D      grey/daylight D67136E/G/W      grey/warm					

		120v		driver incl.	
		6w			
2.8"	4.3"				IP54
die cast			lb 1.3		
<b>order code</b> <b>2x (3x1w)</b> D67136/G/D      grey/daylight D67136/G/W      grey/warm					

		120v		driver incl.	
		3w			
2.6"x3.9"	3.1"				IP54
die cast			lb 0.9		
<b>order code</b> <b>3x1w</b> D67136F/G/D      grey/daylight D67136F/G/W      grey/warm					

		120v		driver incl.	
		6w			
2.6"x3.9"	4.3"				IP54
die cast			lb 1.3		
<b>order code</b> <b>2x (3x1w)</b> D67136A/G/D      grey/daylight D67136A/G/W      grey/warm					

		120v			
		6w	LED		
					IP54
die cast				1.4	
<b>order code</b>					
<b>6x1w</b> D67138D/G/D      grey/daylight D67138D/G/W      grey/warm					

		120v			
		6w	LED		
					IP54
die cast				1.3	
<b>order code</b>					
<b>6x1w</b> D67138E/G/D      grey/daylight D67138E/G/W      grey/warm					

		120v			
		12w	LED		
					IP54
die cast				1.3	
<b>order code</b>					
<b>2x (6x1w)</b> D67138/G/D      grey/daylight D67138/G/W      grey/warm					

		120v			
		6w	LED		
					IP54
die cast				2.2	
<b>order code</b>					
<b>6x1w</b> D67138F/G/D      grey/daylight D67138F/G/W      grey/warm					

		120v			
		12w	LED		
					IP54
die cast				2.2	
<b>order code</b>					
<b>2x (6x1w)</b> D67138A/G/D      grey/daylight D67138A/G/W      grey/warm					



Outdoor LED - Surface Mounted



# LED mini series

Outdoor LED - Surface Mounted

276



**LED**  
ENERGY



1.8"x3.1"

3.5"

12vAC	III	transf. excl.	
1w	LED	←	→
→			IP44
die cast		lb 0.7	

order code	
D60012A/G/D	grey/daylight
D60012A/G/W	grey/warm
D60012A/G/BL	grey/blue

Use magnetic 12v transformer.  
Use plate D60000/G for BS box.

**LED**  
ENERGY



1.8"x3.1"

4.2"

12vAC	III	transf. excl.	
2x1w	LED	←	→
→			IP44
die cast		lb 0.7	

order code	
<b>2x1w</b>	
D60012B/G/D	grey/daylight
D60012B/G/W	grey/warm
D60012B/G/BL	grey/blue

Use magnetic 12vAC transformer.  
Use plate D60000/G for BS box.



Outdoor LED ■ Surface Mounted

		12vAC				<b>order code</b>  D60012D/G/D      grey/daylight D60012D/G/W      grey/warm
					IP44	
		die cast				
 2.0"	 3.0"					

		12vAC				<b>order code</b>  D60012E/G/D      grey/daylight D60012E/G/W      grey/warm
					IP44	
		die cast				
 2.0"	 5.9"					

# LED mini series

Outdoor LED - Surface Mounted



**LED**  
ENERGY



12vAC			IP44
	LED		
		1.2"	4.5"
die cast			0.4

order code	
D60012C/G/D	grey/daylight
D60012C/G/W	grey/warm
D60012C/G/BL	grey/blue
Use magnetic 12vAC transformer.	

278



**LED**  
ENERGY



12vAC			
	LED		
			IP44
die cast			0.5

order code	
<b>2x1w</b>	
D60016B/G/W	grey/warm
D60016B/G/BL	grey/blue
Use magnetic 12v transformer. Use plate D60000/G for BS box.	



Outdoor LED ■ Surface Mounted

279



**LED**  
ENERGY



12vAC	III	transf. excl.	IP44
2x1w	LED	←	→
→			
die cast		lb	0.5

order code	
<b>2x1w</b>	
D60014C/G/D	grey/daylight
D60014C/G/W	grey/warm
D60014C/G/BL	grey/blue
Use magnetic 12v transformer. Use plate D60000/G for BS box. Cover plate, adaptor & gasket incl.	



# LED glass

Outdoor LED - Surface Mounted



 		120v									
		1w									
					IP54						
		natural aluminum									
<table border="1"> <thead> <tr> <th colspan="2">order code</th> </tr> </thead> <tbody> <tr> <td>D67220A/AL/D</td> <td>aluminum/daylight</td> </tr> <tr> <td>D67220A/AL/W</td> <td>aluminum/warm</td> </tr> </tbody> </table>						order code		D67220A/AL/D	aluminum/daylight	D67220A/AL/W	aluminum/warm
order code											
D67220A/AL/D	aluminum/daylight										
D67220A/AL/W	aluminum/warm										

 		120v									
		1w									
					IP54						
		natural aluminum									
<table border="1"> <thead> <tr> <th colspan="2">order code</th> </tr> </thead> <tbody> <tr> <td>D67222A/AL/D</td> <td>aluminum/daylight</td> </tr> <tr> <td>D67222A/AL/W</td> <td>aluminum/warm</td> </tr> </tbody> </table>						order code		D67222A/AL/D	aluminum/daylight	D67222A/AL/W	aluminum/warm
order code											
D67222A/AL/D	aluminum/daylight										
D67222A/AL/W	aluminum/warm										

 		120v									
		1w									
					IP54						
		natural aluminum									
<table border="1"> <thead> <tr> <th colspan="2">order code</th> </tr> </thead> <tbody> <tr> <td>D67234/AL/D</td> <td>aluminum/daylight</td> </tr> <tr> <td>D67234/AL/W</td> <td>aluminum/warm</td> </tr> </tbody> </table>						order code		D67234/AL/D	aluminum/daylight	D67234/AL/W	aluminum/warm
order code											
D67234/AL/D	aluminum/daylight										
D67234/AL/W	aluminum/warm										

 		120v									
		1w									
					IP54						
		natural aluminum									
<table border="1"> <thead> <tr> <th colspan="2">order code</th> </tr> </thead> <tbody> <tr> <td>D67234A/AL/D</td> <td>aluminum/daylight</td> </tr> <tr> <td>D67234A/AL/W</td> <td>aluminum/warm</td> </tr> </tbody> </table>						order code		D67234A/AL/D	aluminum/daylight	D67234A/AL/W	aluminum/warm
order code											
D67234A/AL/D	aluminum/daylight										
D67234A/AL/W	aluminum/warm										



# dark LED

Outdoor LED - Surface Mounted

282



**LED**  
ENERGY



DARK LIGHT



3.1"



23.6"



120v



driver incl.

120"

3w



IP54



natural aluminum

lb

order code	
D67254/AL/W	aluminum/warm





Outdoor LED ■ Surface Mounted

 natural aluminum	 LED ENERGY	 DARK LIGHT		120v							
							IP54				
			natural aluminum			2.0					
<table border="1"> <thead> <tr> <th colspan="2">order code</th> </tr> </thead> <tbody> <tr> <td>D67256/AL/W</td> <td>aluminum/warm</td> </tr> </tbody> </table>								order code		D67256/AL/W	aluminum/warm
order code											
D67256/AL/W	aluminum/warm										

 LED ENERGY			100-230v UNI.														
						IP54											
			die cast			0.7											
<table border="1"> <thead> <tr> <th colspan="2">order code</th> </tr> </thead> <tbody> <tr> <td>1x3w</td> <td></td> </tr> <tr> <td>D67170/G/D</td> <td>grey/daylight</td> </tr> <tr> <td>D67170/G/W</td> <td>grey/warm</td> </tr> <tr> <td>D67170/G/BL</td> <td>grey/blue</td> </tr> </tbody> </table>								order code		1x3w		D67170/G/D	grey/daylight	D67170/G/W	grey/warm	D67170/G/BL	grey/blue
order code																	
1x3w																	
D67170/G/D	grey/daylight																
D67170/G/W	grey/warm																
D67170/G/BL	grey/blue																

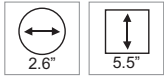
 LED ENERGY			100-230v UNI.														
						IP54											
			die cast			1.3											
<table border="1"> <thead> <tr> <th colspan="2">order code</th> </tr> </thead> <tbody> <tr> <td>2x3w</td> <td></td> </tr> <tr> <td>D67172/G/D</td> <td>grey/daylight</td> </tr> <tr> <td>D67172/G/W</td> <td>grey/warm</td> </tr> <tr> <td>D67172/G/BL</td> <td>grey/blue</td> </tr> </tbody> </table>								order code		2x3w		D67172/G/D	grey/daylight	D67172/G/W	grey/warm	D67172/G/BL	grey/blue
order code																	
2x3w																	
D67172/G/D	grey/daylight																
D67172/G/W	grey/warm																
D67172/G/BL	grey/blue																

# LED spots

Outdoor LED - Surface Mounted



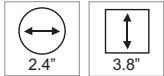
**LED ENERGY**



120v			IP54
	LED		
stainless steel			1.8

order code	
3x1w	daylight
D67128/C/D	warm
D67128/C/W	
Ø 5" chrome cover plate, adaptor and gasket included.	

**LED ENERGY**



120v			IP54
	LED		
stainless steel			1.2

order code	
3x1w	daylight
D67168/C/D	warm
D67168/C/W	

**LED ENERGY**



120v			IP54
	LED		
natural aluminum			2.5

order code	
6x1w	aluminum/daylight
D67178/AL/D	aluminum/warm
D67178/AL/W	
Includes ground spike.	



plastic			

order code	
D7010P	
Ground spike for D67168 & D67178.	





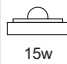





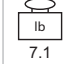
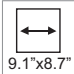



# LED floodlight



Outdoor LED ■ Surface Mounted

285

		120v				<b>order code</b>  <b>15x1w</b> D7022/G/D      grey/daylight	
			LED				
					IP65		
		die cast					
							





SOLAVANTI LIGHTING, LLC

Dallas, Texas

Tel.: 1.866.356.4458

Fax: 1.866.516.1924

[www.solavantilighting.com](http://www.solavantilighting.com)

