

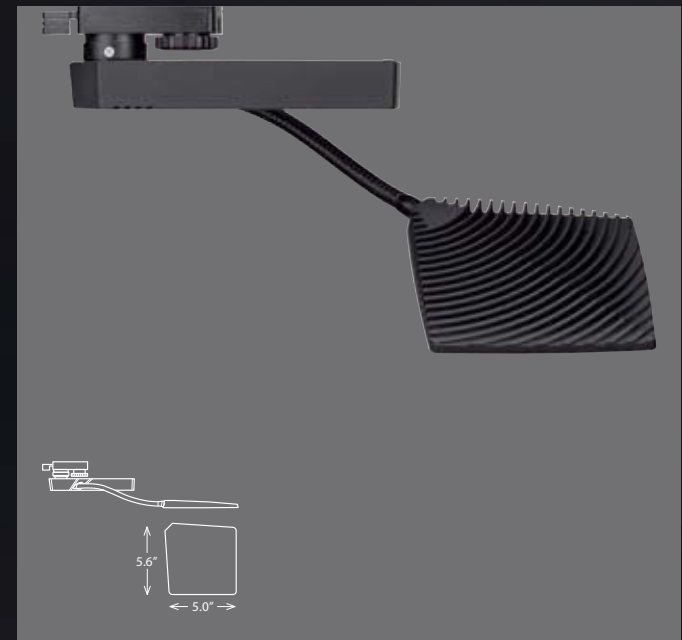


Spotlights and Rod-mounted Spotlights



	LM	Wattage	Luminous flux	Light color		OrderNo.
	LED	12 W	750 lm	warm-white neutral-white	3200 K 4200 K	SKTLED 10.0832.2 SKTLED 10.0842.2



Skate LED | 1000 lm

LED spotlights

- multifunctional luminaire
- LED luminaire with wide beam angle for contact tracks
- light colour in warm-white or neutral-white
- flexible adjustment
- power supply unit integral
- color: white, black



120V
60 Hz

⊕
IP20





LM	Wattage	Luminous flux		Lightcolor		OrderNo.
 LED	10 W	600 lm	15°	warm white neutral white	3000 K 4100 K	MXLED 20,1030.12 MXLED 20,1040.12
 LED	10 W	600 lm	25°	warm white neutral white	3000 K 4100 K	MXLED 20,1030.22 MXLED 20,1040.22



MX LED 200 | 600 lm

LED spotlights

- LED spotlight suitable for contact tracks
- light colour warm-white or neutral-white
- specular reflector made from highest-grade aluminium
- PRI PLUS specular reflector
- *light head rotates through 180° and pivots through 90°*
- housing made from high-grade die-cast
- power supply unit integral
- color: silver, white, black



Adapter



PRI PLUS



Safety glass

120V
60 Hz

IP20



CE



PX Futura I | 600 lm spotlights



Adapter



PRI PLUS

Safety
glass120V
60 Hz

IP20



CE

- LED spotlight suitable for contact tracks
- light colour warm-white or neutral-white
- PRI PLUS specular reflector
- light head pivotable
- power supply unit integral
- color: silver/silver, silver/black



LM	Wattage	Luminous flux		Lightcolor		OrderNo.
 LED	10 W	600 lm	15°	warm-white neutral-white	3000 K 4100 K	PXLED 20.1030.12 PXLED 20.1040.12
 LED	10 W	600 lm	25°	warm-white neutral-white	3000 K 4100 K	PXLED 20.1030.22 PXLED 20.1040.22





PX LED | 600 lm spotlights



Adapter



PRI PLUS

120V
60 Hz

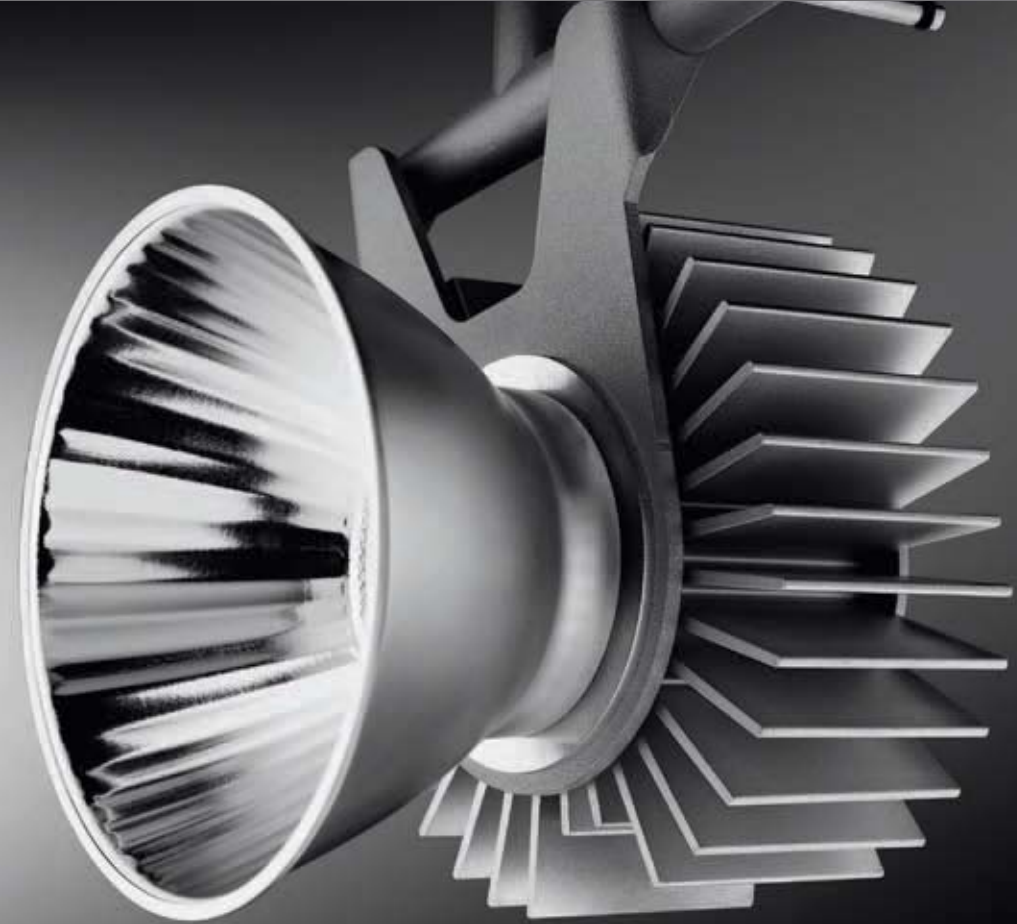
IP20



CE

- LED spotlight suitable for contact tracks
- light colour warm-white or neutral-white
- specular reflector made from highest-grade aluminium
- PRI PLUS specular reflector
- light head pivotable
- power supply unit integral
- color: silver

LM	Luminous flux	Beam angle	Light color	Color temperature	Order No.	
LED	10 W	600 lm	15°	warm-white	3000 K 4100 K	PXLED 10.1030.12 PXLED 10.1040.12
				neutral-white		
LED	10 W	600 lm	25°	warm-white	3000 K 4100 K	PXLED 10.1030.22 PXLED 10.1040.22
				neutral-white		





S 100 LED | 600 lm spotlights



Adapter



PRI PLUS



Safety glass

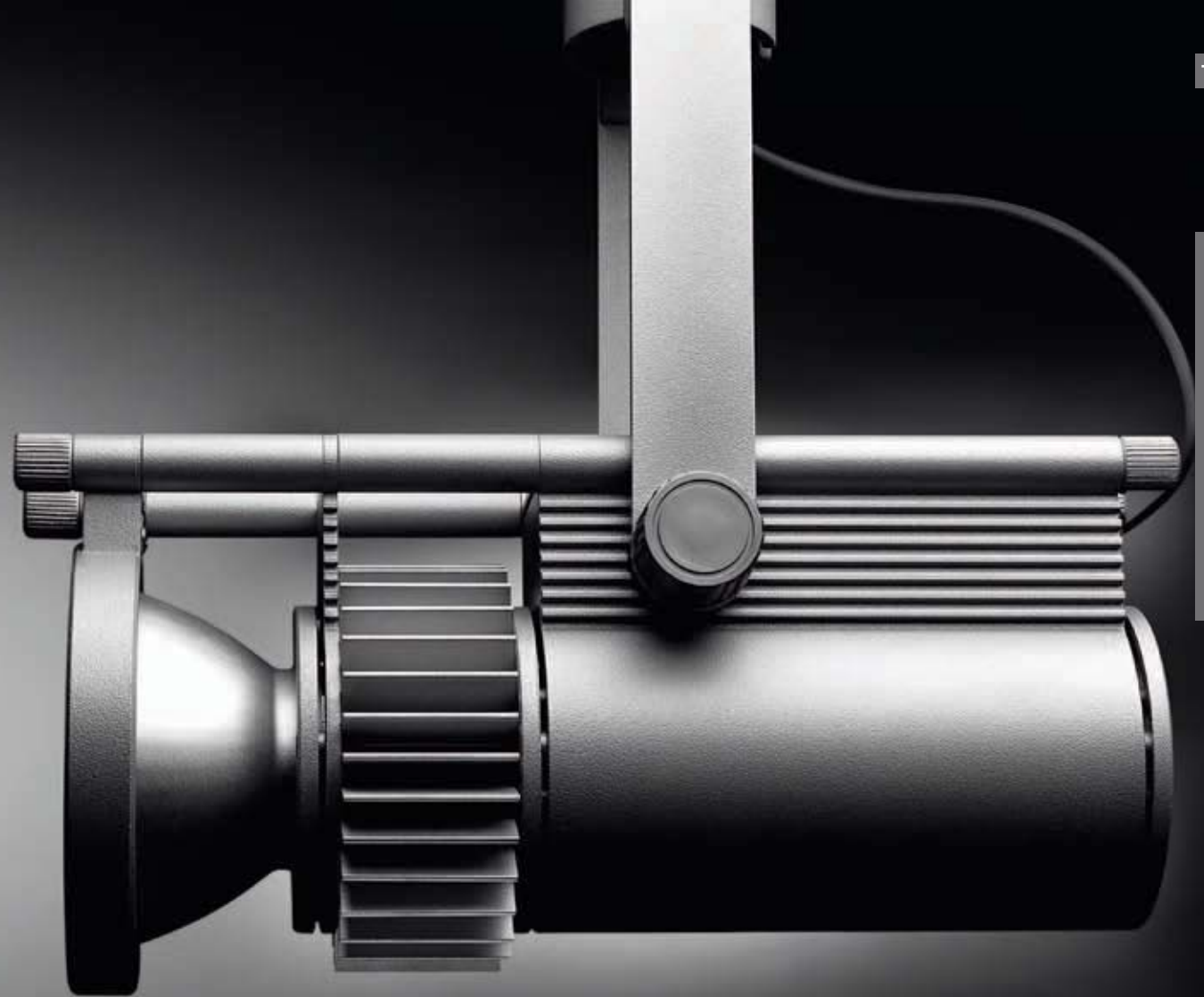
120V
60 Hz

IP20



CE

- LED spotlight suitable for contact tracks
- light colour warm-white or neutral-white
- PRI PLUS specular reflector
- housing made from high-grade aluminium
- power supply unit integral
- color: silver, black, white



	LM	Wattage	Luminous flux	▲	Lightcolor	KK	OrderNo.
Ⓐ	LED	10 W	600 lm	15°	warm-white neutral-white	3000 K 4100 K	SSLED 1030.12 SSLED 1040.12
Ⓐ	LED	10 W	600 lm	25°	warm-white neutral-white	3000 K 4100 K	SSLED 1030.22 SSLED 1040.22



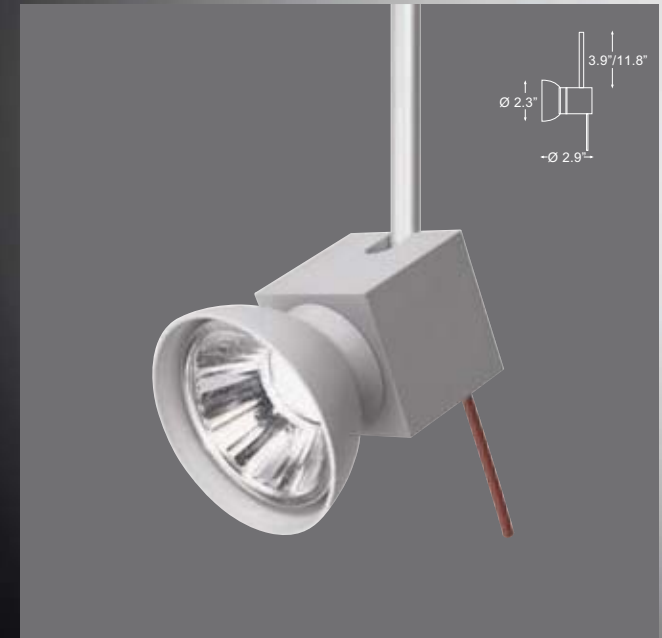
Clipo | 3 W

- ☒ high-power LED with high-grade aluminium reflector
- ☒ PRI PLUS specular reflector
- ☒ *light head pivots through 90°*
- ☒ power supply unit to be ordered separately
- ☒ Other LED colours available on request!
- ☒ Only suitable for permanently accessible ceiling systems!



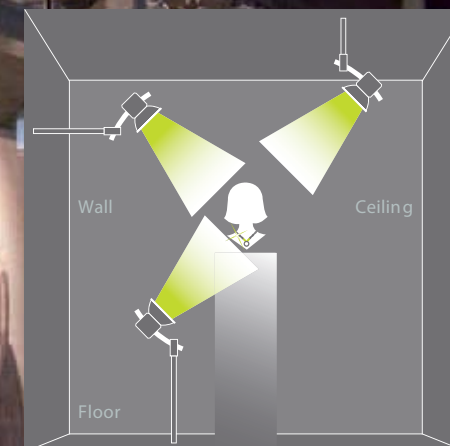
Salto | 3 W




- ... technical fittings same as Clipo.
- color: alu



Filou I | 3 W

- ... technical fittings same as Clipo.
- color combination luminaire body/screen:
alu/black, alu/alu, black/alu, RAL/RAL



	LM	Wattage	Light color	Pendant rod 3.9"	Pendant rod 11.8"	
 Clipo	1x LED	1x 3 W	6° cold-white 6500 K	NAALED 010302.01 NAALED 010302.08	NAALED 010302.31 NAALED 010302.38	attachment 1 attachment 8
			35° cold-white 6500 K	NAALED 010322.01 NAALED 010322.08	NAALED 010322.31 NAALED 010322.38	attachment 1 attachment 8
 Salto	LED	1 x 3 W	6° cold-white 6500 K	NSPLED 010302.01 NSPLED 010302.08	NSPLED 010302.31 NSPLED 010302.38	attachment 1 attachment 8
			35° cold-white 6500 K	NSPLED 010322.01 NSPLED 010322.08	NSPLED 010322.31 NSPLED 010322.38	attachment 1 attachment 8
 Filou I	1x LED	1x 3 W	6° cold-white 6500 K	NFPLED 010302.01 NFPLED 010302.08	NFPLED 010302.31 NFPLED 010302.38	attachment 1 attachment 8
			35° cold-white 6500 K	NFPLED 010322.01 NFPLED 010322.08	NFPLED 010322.31 NFPLED 010322.38	attachment 1 attachment 8

Accessories

Power supply unit (1 luminaire)

CVLED 60

attachment



1

8

120-240 V
50/60 Hz

Extraordinary projects require
extraordinary lighting designs.

Challenge us!

Individually designed luminaires are our
profession. Our flexibility and capability
guarantee the realization of customers'
requirements.










Hymer Museum , Bad Waldsee

Planung: Bauart Liebel | Kiess Planungs GmbH, Bad Waldsee

Generalunternehmer: i+ RB Schertler-Alge-Bühler GmbH, Lauterach

Installation + E-Planung: I-TEC Industrieelektrik GmbH, Lauterach / ib-Brugger, Thüringen



LM	light source
Wattage	wattage
Luminous flux	luminous flux
Light color	light color
Order No.	order number
DS	ceiling thickness
ET	recessed depth
	diameter/inner diameter/luminaire square
	diameter/inner diameter/luminaire round
	RGB light source available
	color temperature (Kelvin)
	beam angle
	cut-out in inches
	adapter for contact track
	PRI/PRI PLUS technology
	digital adressable lighting interface

Legend



solavanti lighting **PERFORMANCE**¹⁰

SOLAVANTI LIGHTING, LLC

Dallas, Texas

Tel.: 1.866.356.4458

Fax: 1.866.516.1924

www.solavantilighting.com

Technical Data are subject to change | Errors and omissions excepted | Color deviations are subject to printing | Solavanti Lighting LLC